

TC100  
**WIRING CENTRE**  
QUICK GUIDE



**Manufacturer:**  
SALUS Controls plc  
Units 8-10, Northfield Business Park, Forge Way,  
Parkgate Rotherham, S60 1SD, United Kingdom

**Importer:**  
Salus Controls European Distribution sp.z o.o.  
ul. Szamocka 8, piętro 6., 01 748 Warszawa, Poland

UK: tech@salus-tech.com  
DE / NL: info@salus-controls.de  
PL: poland@saluscontrols.com  
FR: technicalsupport@saluscontrols.fr  
RO: tehnic@saluscontrols.ro  
DK: Support@salus-controls.dk



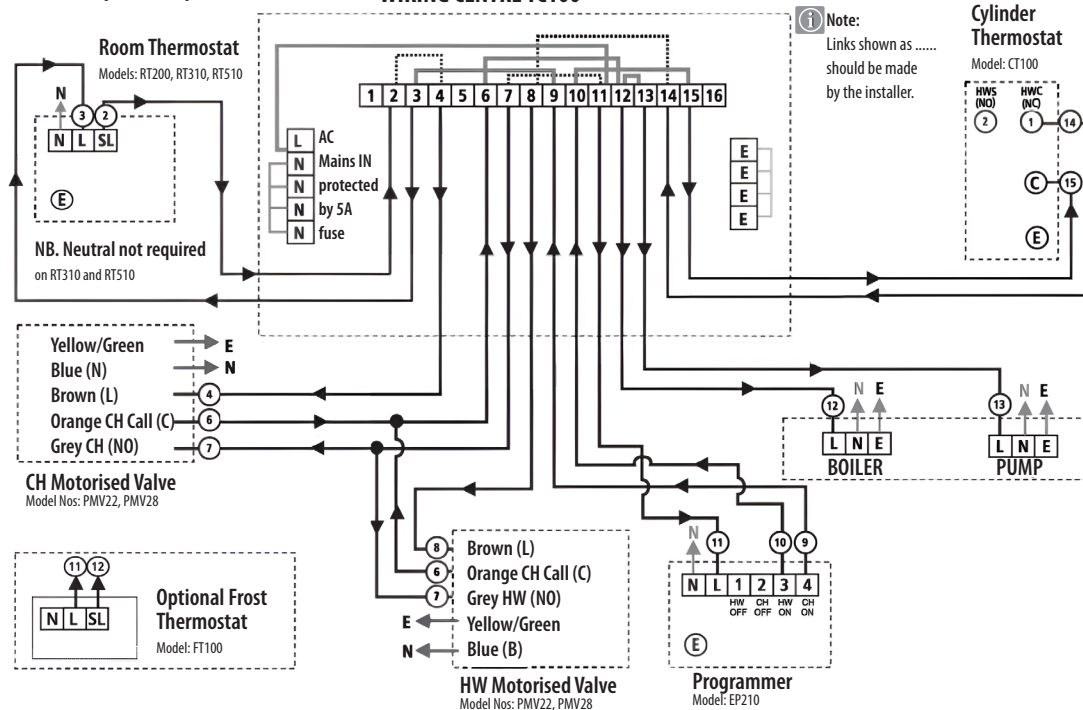
[www.saluscontrols.com](http://www.saluscontrols.com)

SALUS Controls is a member of the Computime Group. Maintaining a policy of continuous product development SALUS Controls plc reserve the right to change specification, design and materials of products listed in this brochure without prior notice.



**2 PORT MOTORISED VALVE SYSTEM (S PLAN)**

**WIRING CENTRE TC100**



**Please note:**

The links shown on diagram should be made by the installer.

For 'S Plan' link  
2 - 4

7 - 11

8 - 14

**Introduction**

Wiring centres are designed to simplify wiring and circuit checking. The TC100 does this with an easy to understand manual suited to all popular central heating and hot water systems. Adequate wiring space, large terminals, cable access points and cable clamps add to the simplicity of the TC100.

**Product Compliance**

This product complies with the essential requirements and other relevant provisions of Directives GPSR 2023/988/EU, LVD 2014/35/EU and RoHS 2017/2102/EU. The full text of the EU Declaration of Conformity is available at the following internet address: [www.saluslegal.com](http://www.saluslegal.com).

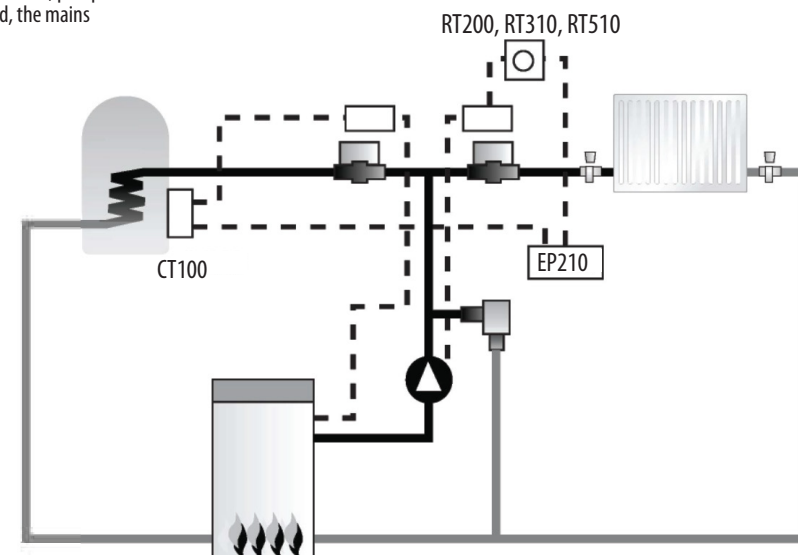
**Safety Information**

Use in accordance with the regulations. Indoor use only. Keep your device completely dry. Disconnect your device before cleaning it with a dry cloth. This accessory must be fitted by a competent person, and installation must comply with the guidance, standards and regulations applicable to the city, country or state where the product is installed. Failure to comply with the relevant standards could lead to prosecution.

**WARNING:**

All wiring must be to latest I.E.E. wiring regulations - BS 7671:2018+A4:2026 - and carried out by a competent, qualified installer.

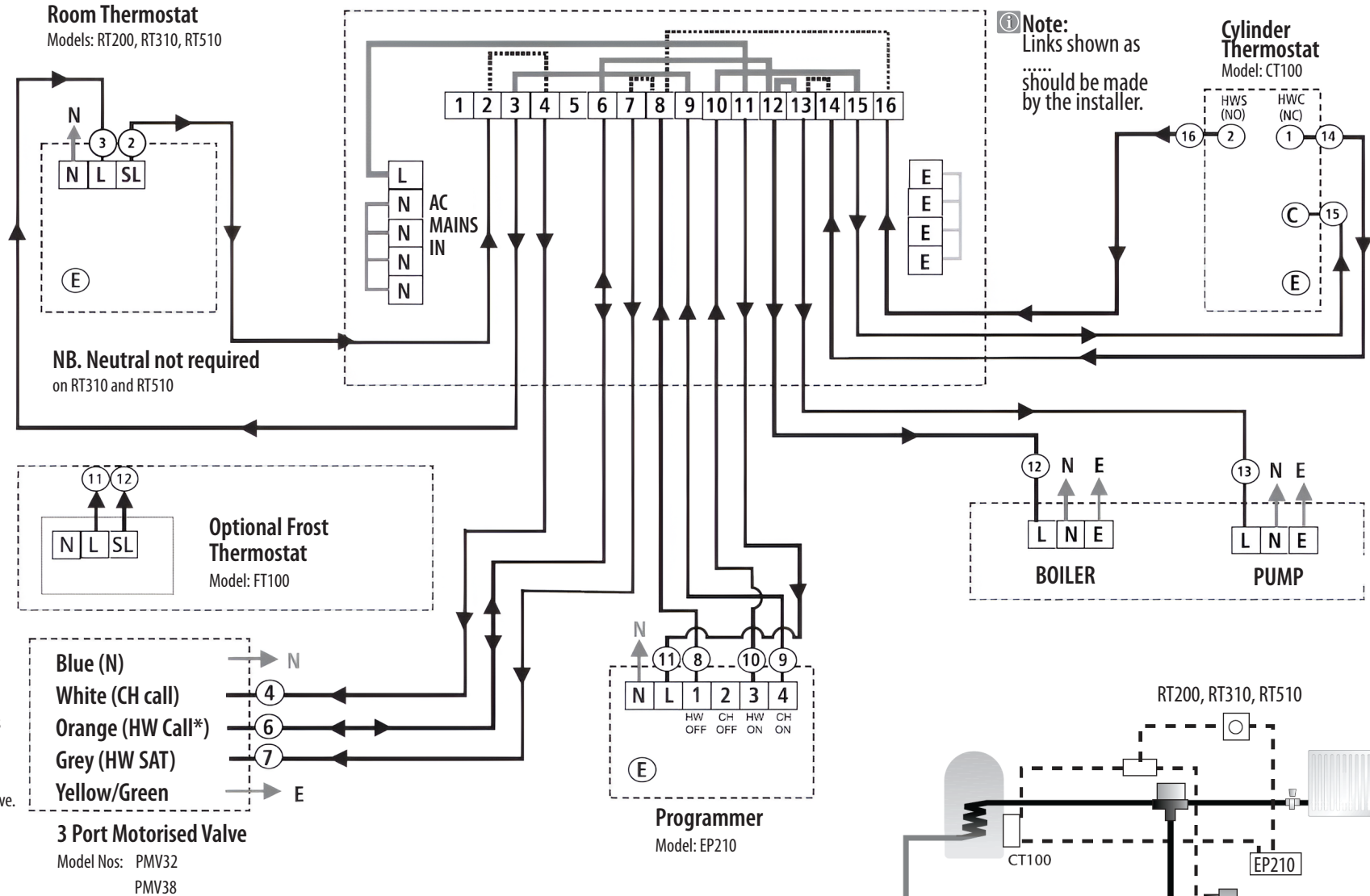
The TC100 Wiring Guide assumes that the Installer can identify from the boiler, pump and controls literature to hand, the mains supply and switch terminals.



**2 x 2 PORT MOTORISED VALVE SYSTEM (S PLAN)**

# 3 PORT MOTORISED VALVE SYSTEM (Y PLAN)

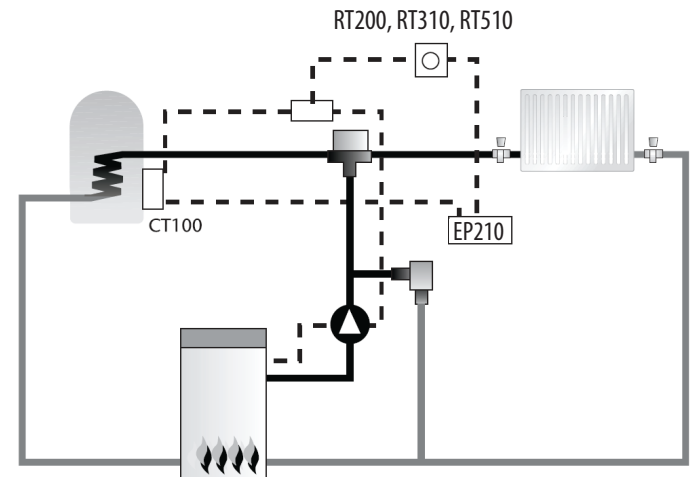
## WIRING CENTRE TC100



\* Varying voltages will be present on orange conductor depending on switch state of valve.

**Please note:**  
The links shown on diagram should be made by the installer.

- For 'Y Plan' link
- 2-4
- 7-8
- 8-16
- 13-14



**1 X 3 port motorised valve system (Y Plan)**