

RT110
**ELECTRONIC DIAL
THERMOSTAT**
QUICK GUIDE



Manufacturer: SALUS Controls plc
Units 8-10, Northfield Business Park, Forge Way,
Parkgate Rotherham, S60 1SD, United Kingdom

Importer: Salus Controls European Distribution sp.z o.o.
ul. Szamocka 8, piętro 6., 01 748 Warszawa, Poland

UK: tech@salus-tech.com
DE / NL: info@salus-controls.de
PL: poland@saluscontrols.com
FR: technicalsupport@saluscontrols.fr
RO: tehnic@saluscontrols.ro
DK: Support@salus-controls.dk



www.saluscontrols.com

SALUS Controls is a member of the Computime Group
Maintaining a policy of continuous product development SALUS
Controls plc reserves the right to change specifications, design
and materials of products listed in this brochure without prior
notice.



Introduction

Thank you for choosing the **RT110** thermostat. Designed for simplicity and efficiency, this thermostat provides smooth temperature control tailored to your comfort needs. Its intuitive operation, combined with quick responsiveness and reliable performance, makes it easy for anyone to use.

To enhance both safety and comfort, the thermostat includes Valve Protection (VP) and Proportional Control (PWM) functions. These features safeguard system components while helping to maintain an optimal and consistent indoor climate.

Product compliance


This product complies with the essential requirements and other relevant provisions of Directives: GPSR 2023/988/EU, EMC 2014/30/EU, LVD 2014/35/EU and RoHS 2017/2102/EU.

The full text of the EU Declaration of Conformity is available at the following internet address: www.saluslegal.com

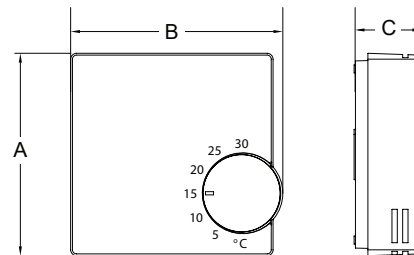
Safety Information

To ensure safety and optimal performance, the thermostat must be used in accordance with all applicable regulations. This device is designed exclusively for indoor use and must not be installed in environments exposed to extreme temperatures or other harsh conditions. Keep the thermostat completely dry; incorrect installation may cause damage or malfunction. Always disconnect the device before cleaning, and use only a dry cloth.

For safe operation, position the thermostat at a suitable height to allow easy access. As the maximum operating temperature of the device is 50°C, avoid placing it in areas where this limit may be exceeded to prevent overheating. Following these guidelines will ensure long-term reliability and safety of the thermostat.

 **Warning** - Please read this manual before installation or use.

Dimensions



Dimensions (mm)		
A	B	C
75	79	27

Box Content



RT110
Thermostat



Quick
Guide



2 x
Screws



2 x Wall Mounting
Anchors

Technical Specifications

Power supply	230V / 50Hz
Temperature scale	°C
Temperature adjustment range	5°C up to 30,0°C
Temperature setting resolution	Continue
Temperature measurement accuracy	Max. +/-1°C to 25°C
Operating temperature	0°C – 50°C
Storage temperature	-20°C up to 60°C

Compatibility

The **RT110** is equipped with NO (normally open) and NC (normally closed) contacts, making it compatible with heating systems (such as boilers and heat pumps). Its voltage-free contacts allow easy integration with a wide range of equipment, ensuring simple and reliable operation.

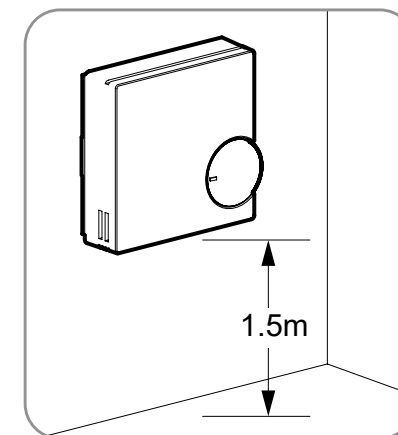
Terminal Description

When wiring, make sure that each terminal is connected according to its designated function. Always follow recognized standards to ensure a safe and correct installation.

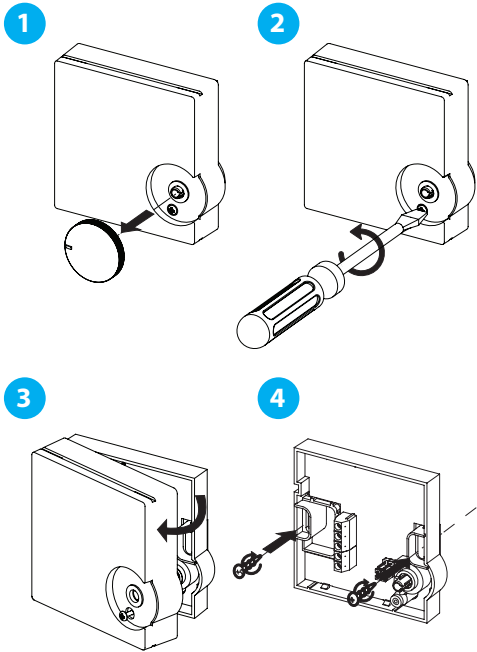
Terminal	Function
L	Live input
N	Neutral input
COM	Common terminal – Voltage-free
NO	Normally open – Voltage-free
NC	Normally closed – Voltage-free

Proper positioning

Mount the thermostat vertically on the wall of the room. Position it at least 1.5 m above the floor in an accessible and well-ventilated location, so that it can accurately measure the room temperature.

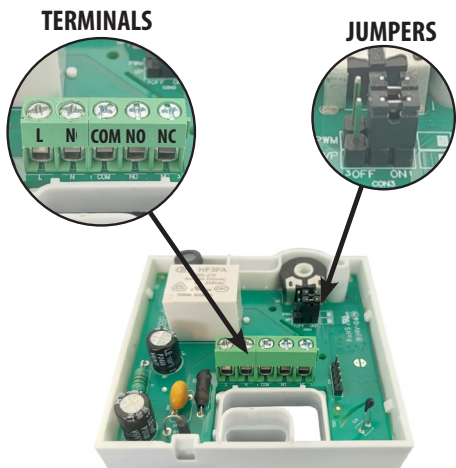


Wall mounting procedure



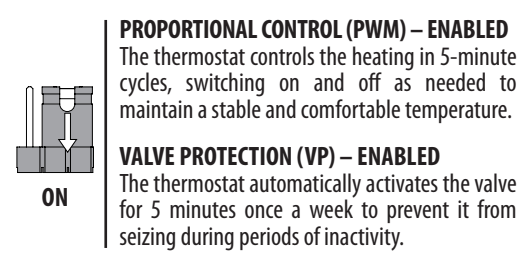
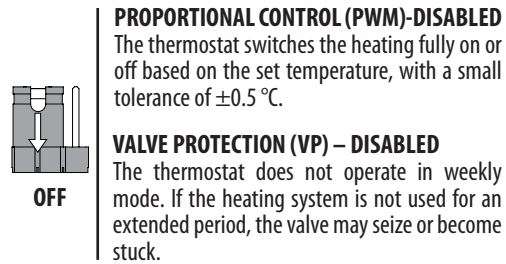
Jumpers and wiring

Once the thermostat is open, check the location of the terminals and jumpers (represented in the image below).



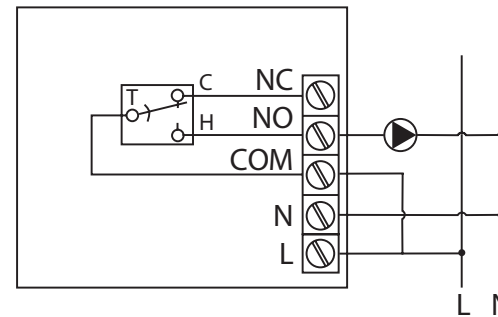
Set the Jumpers According to Your Needs.

Adjust the jumpers according to your preferences by aligning them with the desired operating mode or function.



Wiring Procedure – 230 V Connection

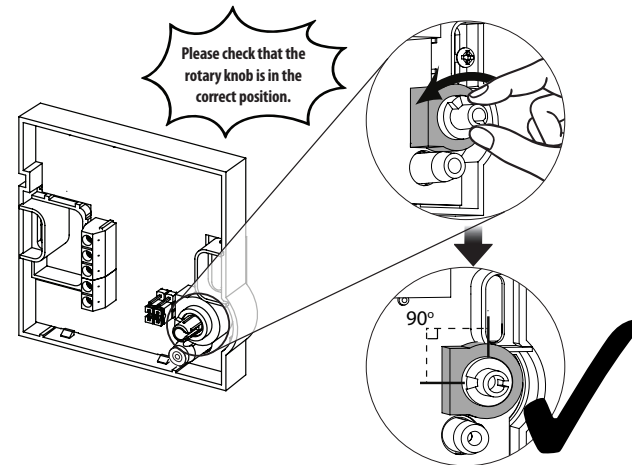
After correctly setting the jumpers, carry out the wiring step by step, connecting each conductor to its designated terminal. Check the markings (L, N, COM, NO, NC) carefully, as any error may cause malfunction, reduced performance, or damage to the device. Ensure the power supply is switched off while making adjustments, then verify the configuration against the wiring diagram before restoring power to ensure a safe, compliant installation.



Power supply: 230 V / 50 Hz
 Maximum load: 3(1) A (valve actuators or other electrical devices)
 NO terminal – Normal Open Terminal (Voltage-free contact)
 NC terminal – Normal Closed Terminal (Voltage-free contact)

Check the Position of the Rotary Knob

Before replacing the cover, make sure the internal rotary knob is correctly aligned, as shown in the illustration. This step is important to ensure the knob functions correctly once reassembled.



Reinstall the Cover

