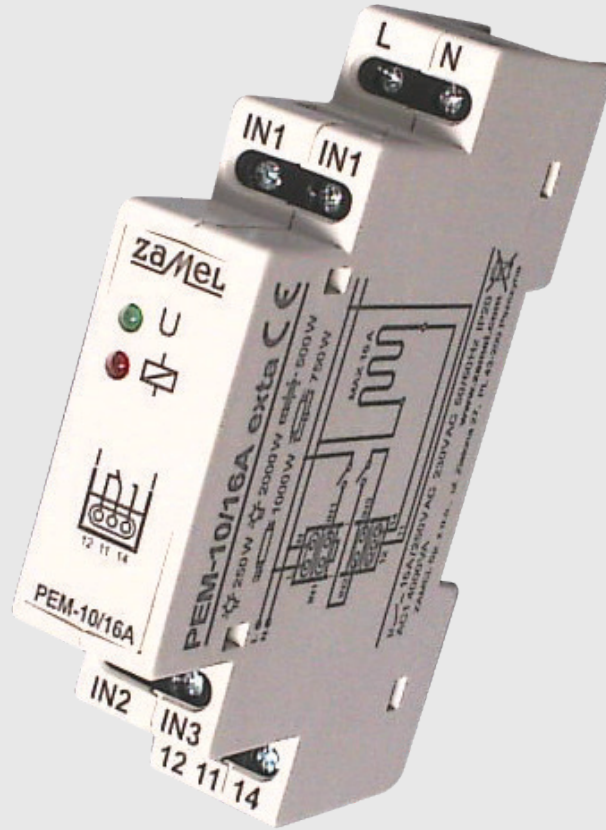


DRM-16A

Relay Module

About this product...

The SALUS DRM-16A infrared relay module is a versatile solution for controlling electrical loads in residential settings, utilizing infrared technology to manage household appliances with ease. Designed to work seamlessly with a temperature controller, it ensures safe and efficient operation of various devices. The module is conveniently mounted on a DIN rail, facilitating quick and secure installation within distribution cabinets. Its robust design and intuitive interface make it both reliable and user-friendly, offering a practical option for modern home automation systems.



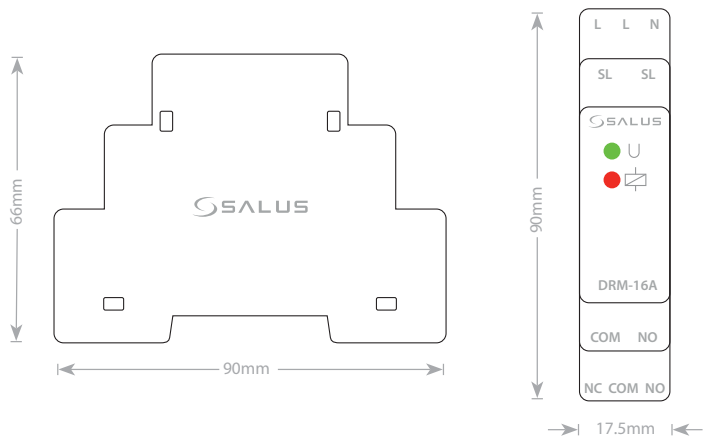
Features

- DRM-16A power supply - 230 V AC
- Input contact - 230 V AC.
- NC/COM/NO relay output.
- Voltage-free contacts.
- Green & Red LED diode, indicating relay status.

Specification

Input Power	230V AC 50Hz
Max Load	2.000W at 250V
SL Input	0 to 230V
Ingress protection rating	IP20
Output	NO-COM-NC changeover relay
Potential-free Input	COM-NO
Mounting	TH-35 rail
Weight	0,069kg
Dimensions (L x W x H)	90 x 17.5 x 66 mm
Guarantee	5 Years

Dimensions



DRM-16A Relay Module - Technical Data

Safety Instructions

- Installation in an area protected by IP20 is required.
- The maximum allowable load of 2,000W must be adhered to.
- Compliance with the connection guidelines is essential to ensure proper functioning and to avoid damage.

Electrical Connections

- L and N: Supply voltage 230V AC, 50Hz
- Additional L Connection: For bridging the L to COM

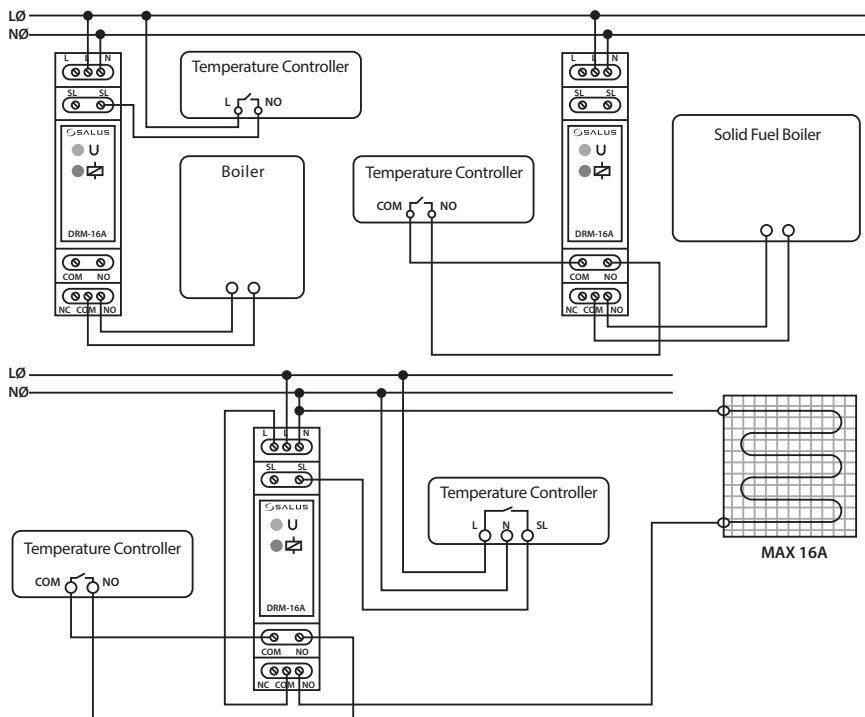
Input Signals

- In-phase Connections: 0 or 230V for switching the changeover relay
- Potential-free Input: For switching the changeover relay

Output

- Changeover Relay: NC-COM-NO
- NC (normally closed)
- COM (common)
- NO (normally open)

Wiring Diagram



Scan QR Code to View Product on Website