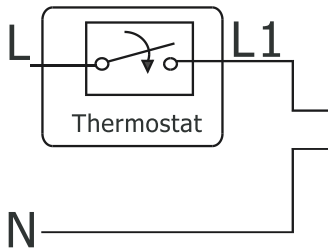
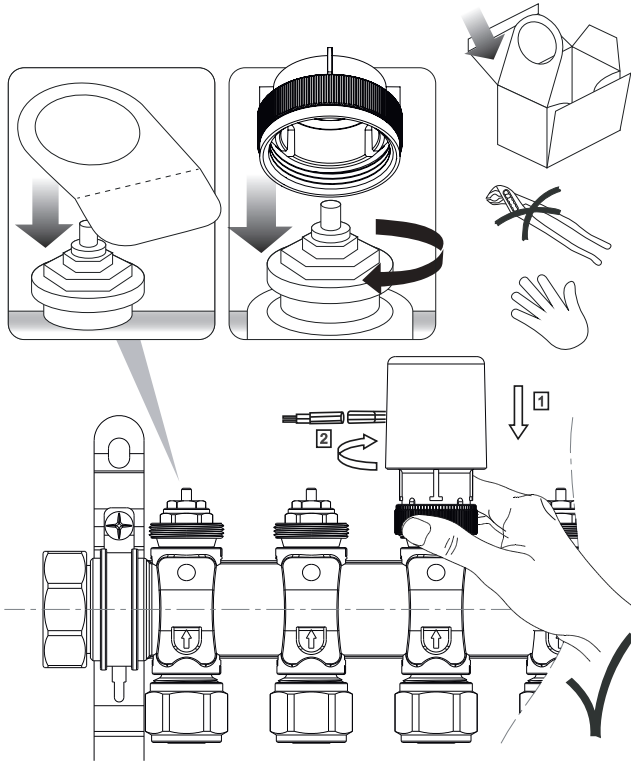
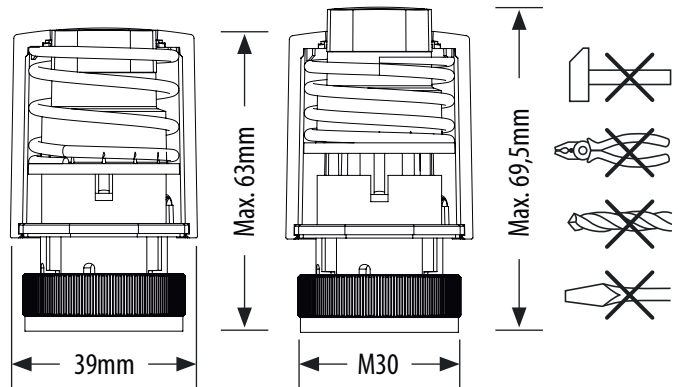


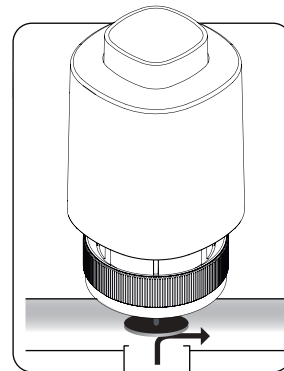
## ASSEMBLY



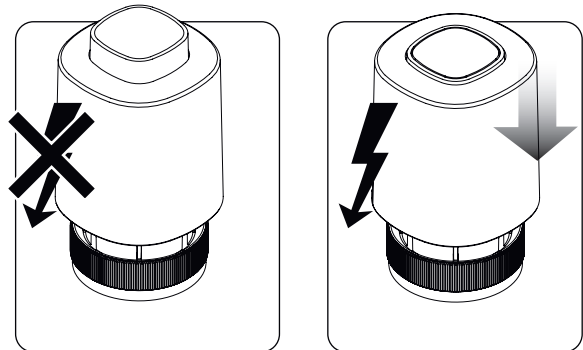
## Adaptive stroke length - 4 mm



## NO - NORMALLY OPEN



## PRINCIPLE OF OPERATION



### 230V

V= 230V  
 P= 2W  
 I<sub>MAX</sub>= 200mA - 200mS  
 IP54  
 5-60 °C  
 F= 100N+10%

### 24V Version

V= 24V  
 P= 2W  
 I<sub>MAX</sub>= 250mA - 2 min  
 IP54  
 5-60 °C  
 F= 100N+10%