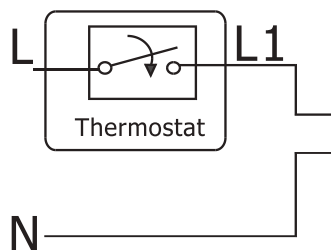
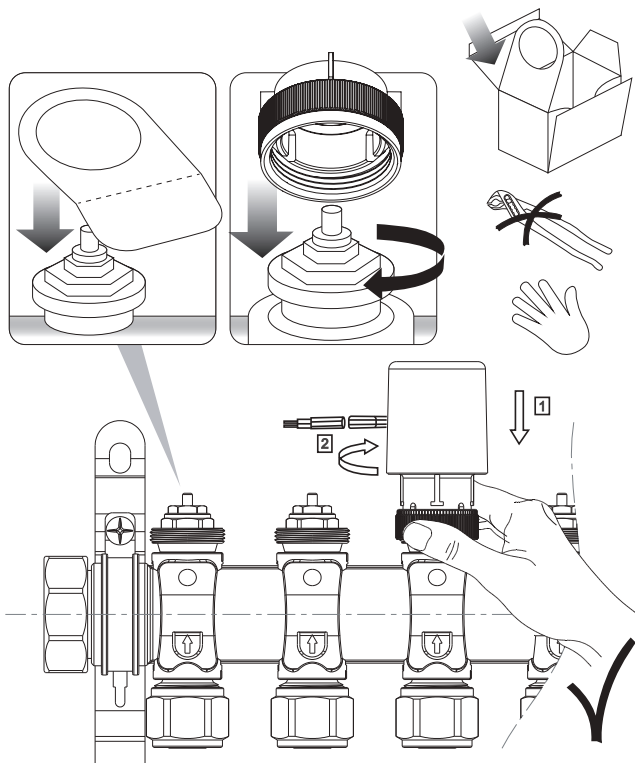


## NAMESTITEV



**230V**

V= 230V

P= 2W

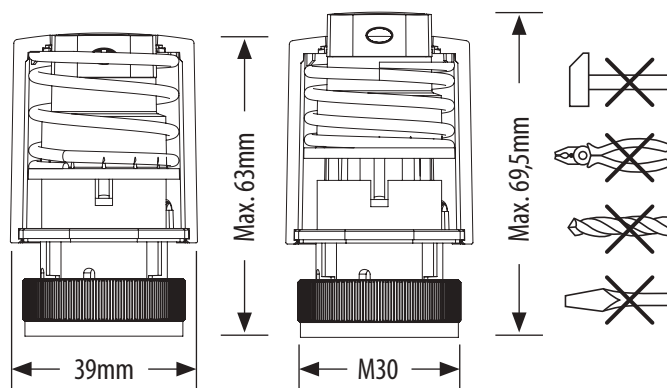
IMAX= 200mA - 200mS

IP54

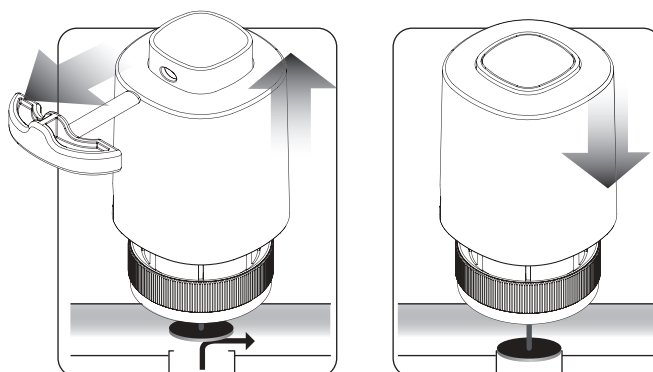
5-60 °C

F= 100N+10%

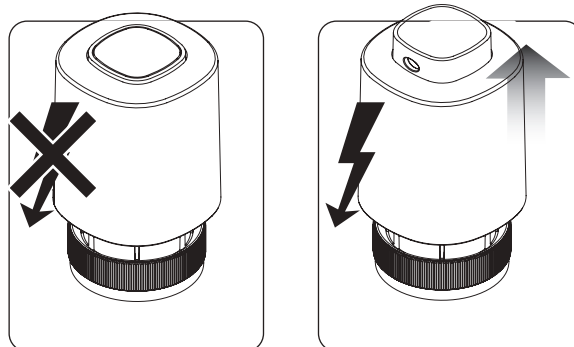
Max. Premik - 6,5 mm



**NC - NORMALLY CLOSED - NAVADNO STAKNJENO**  
Funkcija »First Open«



**NAČIN DELOVANJA**



PRODUCER:

Salus Limited

6/F, Building 20E, Phase 3, Hong Kong Science  
Park, 20 Science Park East Avenue, Shatin,  
New Territories, Hong Kong