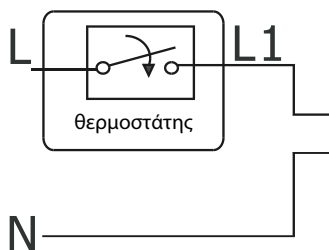
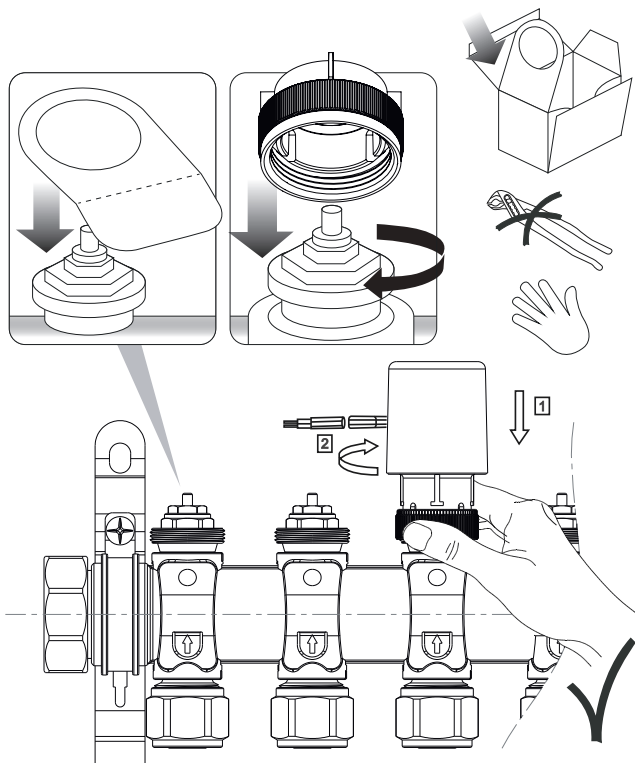
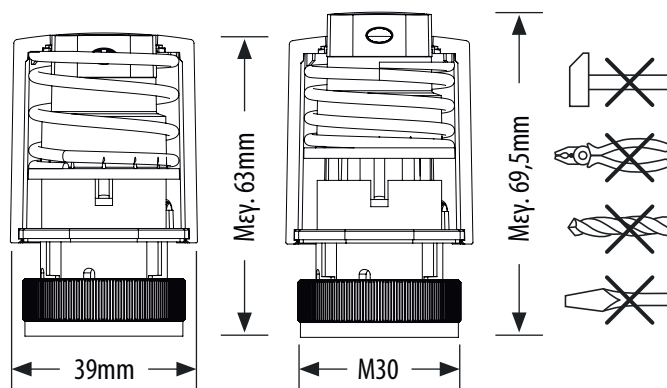


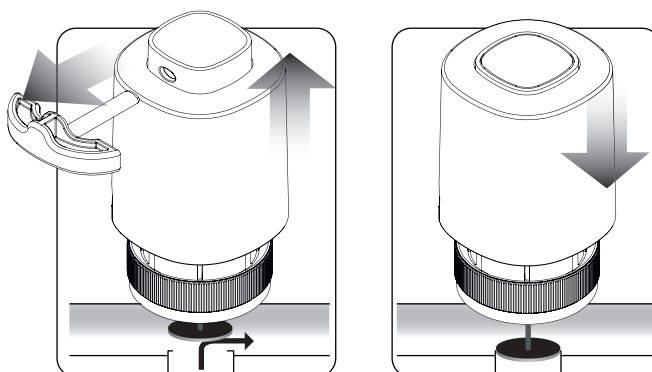
ΕΓΚΑΤΑΣΤΑΣΗ



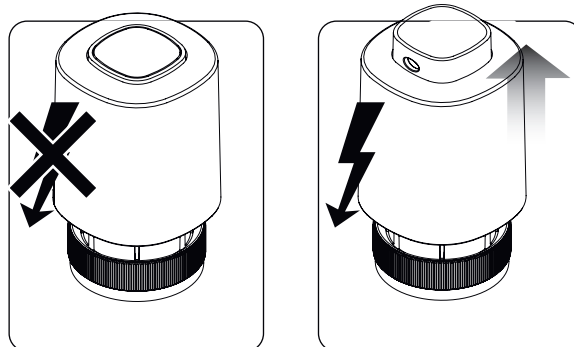
Μεγ. Διαδρομή εμβόλου – 6,5 mm



NC – NORMALLY CLOSED – ΚΑΝΟΝΙΚΑ ΚΛΕΙΣΤΗ Λειτουργία «First Open»



ΑΡΧΗ ΛΕΙΤΟΥΡΓΙΑΣ



230V

V= 230V

P= 2W

IMAX= 200mA - 200mS

IP54

5-60 °C

F= 100N+10%



PRODUCER:

Salus Limited

6/F, Building 20E, Phase 3, Hong Kong Science
Park, 20 Science Park East Avenue, Shatin,
New Territories, Hong Kong