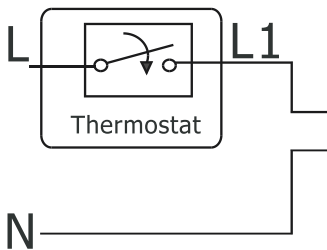
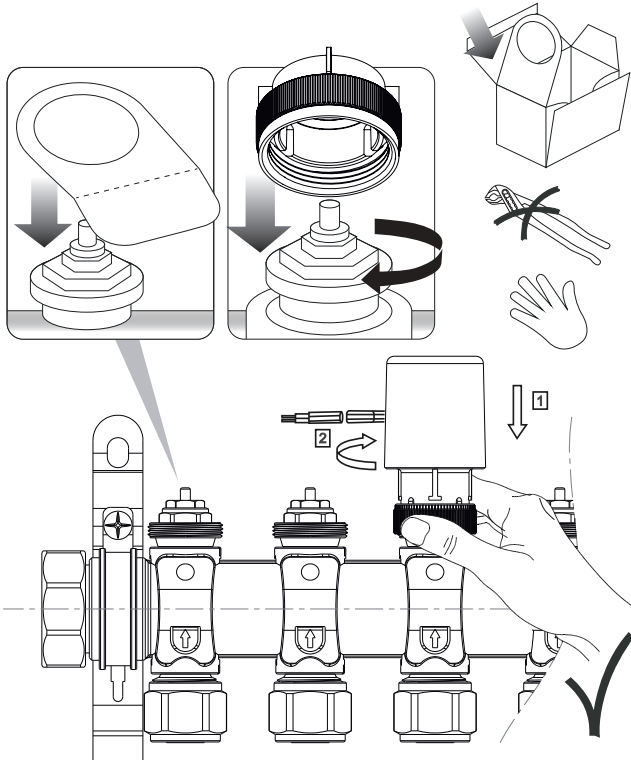
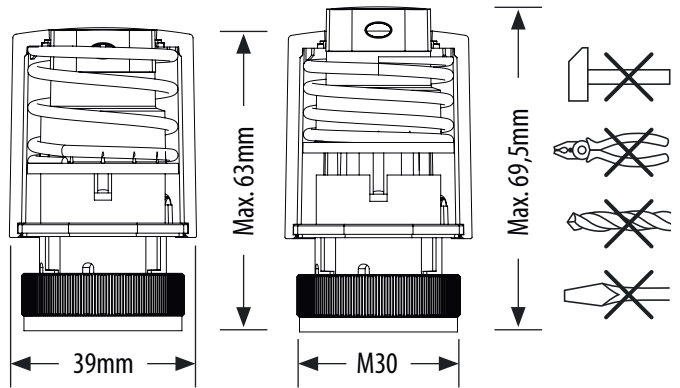


SALUS

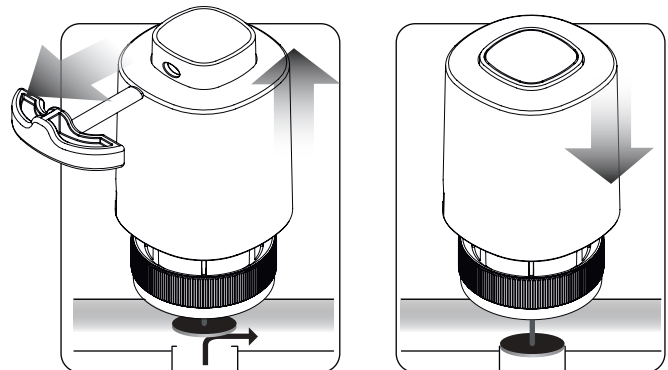
ASSEMBLY



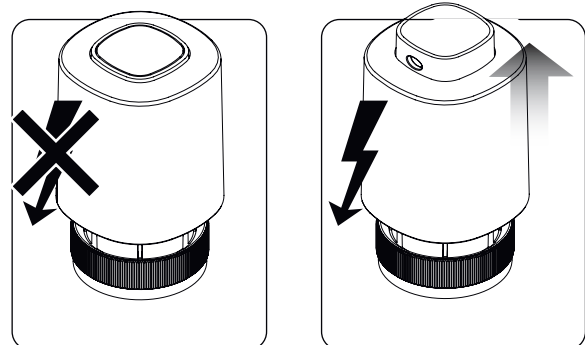
Adaptive stroke length - 4mm



NC - NORMALLY CLOSED "First Open" function



PRINCIPLE OF OPERATION



230V

V= 230V
P= 2W
I_{MAX}= 200mA - 200mS
IP54
5-60 °C
F= 100N+10%

24V Version

V= 24V
P= 2W
I_{MAX}= 250mA - 2 min
IP54
5-60 °C
F= 100N+10%

