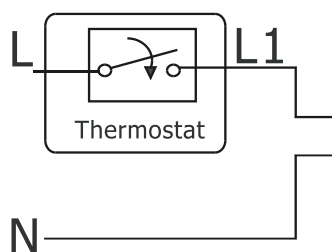
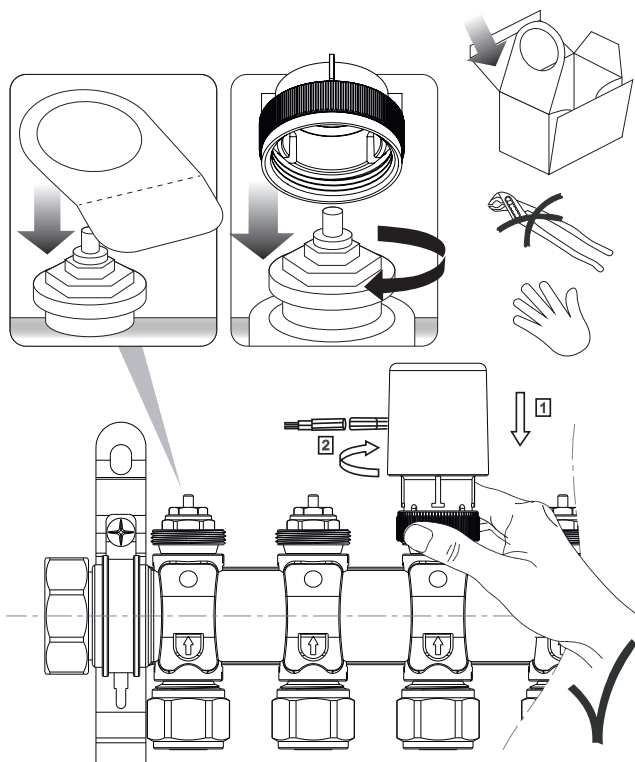
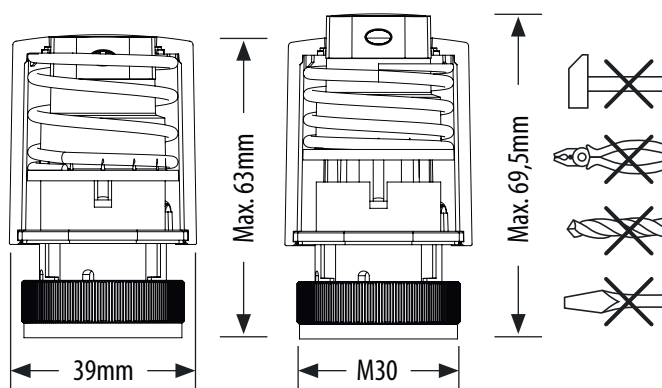


# SALUS

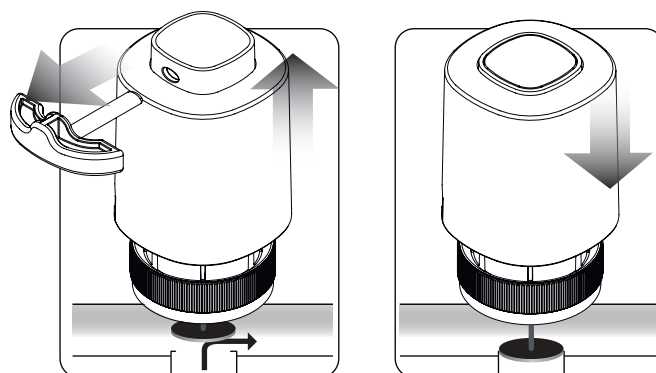
## MONTÁŽ



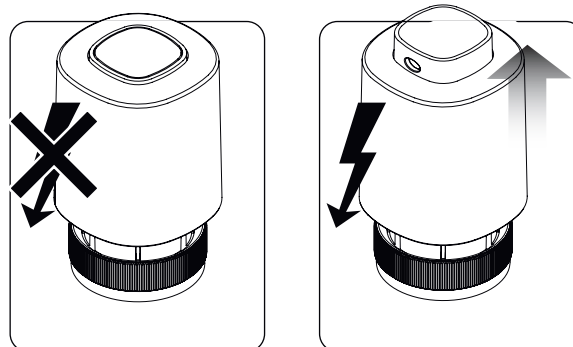
Max. zdvih - 4mm



**NC - BEZ NAPĚTÍ UZAVŘENÝ**  
Funkce "First Open"



## PRINCIP OPERACE



### 230V

V= 230V  
P= 2W  
I<sub>MAX</sub>= 200mA - 200mS  
IP54  
5-60 °C  
F= 100N+10%

### 24V verze

V= 24V  
P= 2W  
I<sub>MAX</sub>= 250mA - 2 min  
IP54  
5-60 °C  
F= 100N+10%



PRODUCER:

Salus Limited  
6/F, Building 20E, Phase 3, Hong Kong Science  
Park, 20 Science Park East Avenue, Shatin,  
New Territories, Hong Kong