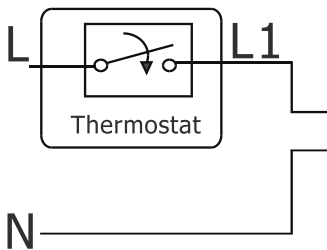
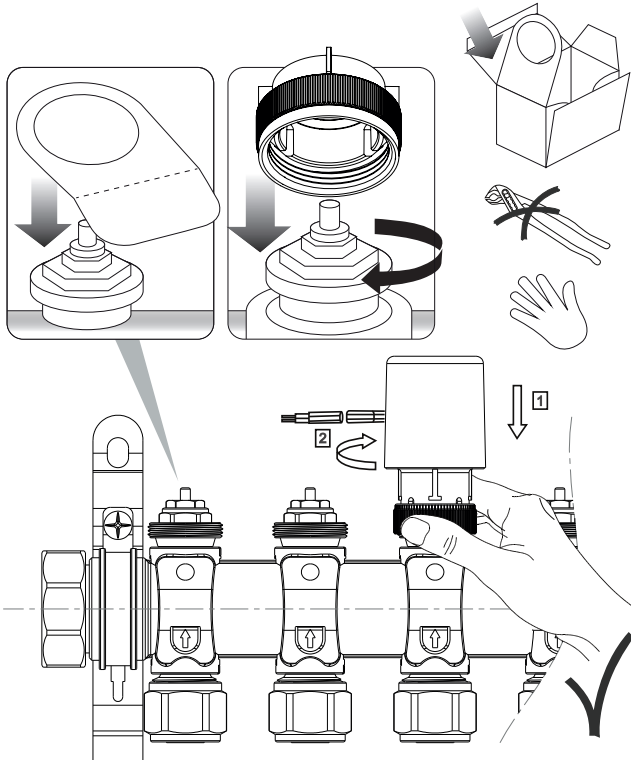
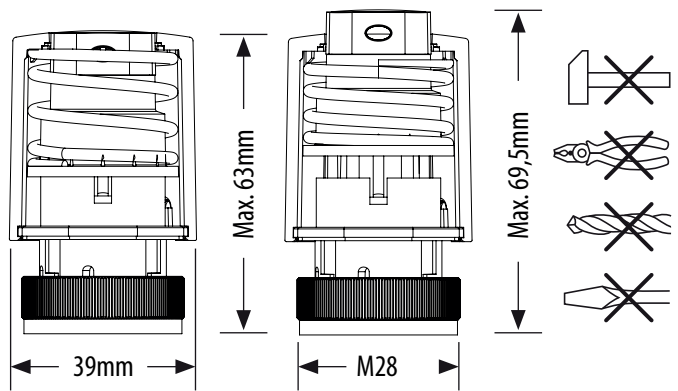


SALUS

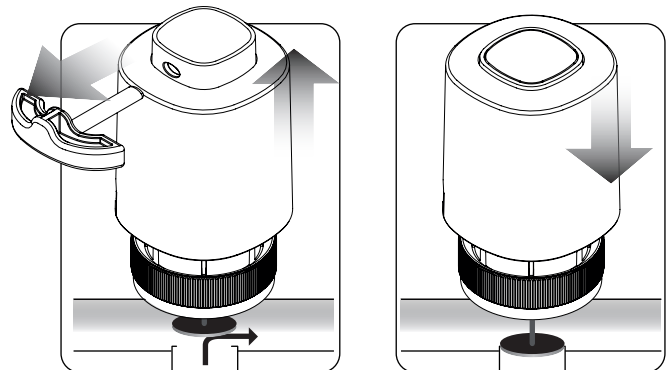
ASSEMBLY



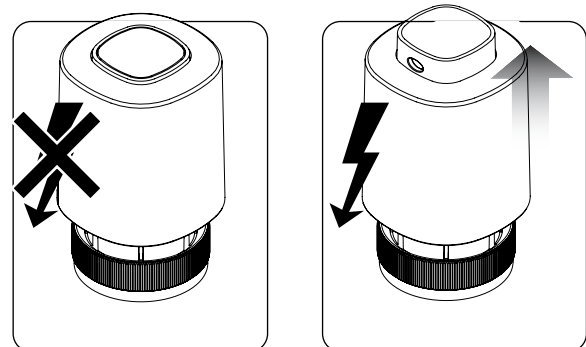
Adaptive stroke length - 4mm



NC - NORMALLY CLOSED "First Open" function



PRINCIPLE OF OPERATION



230V

V= 230V

P= 2W

IMAX= 200mA - 200mS

IP54

5-60 °C

F= 100N+10%

