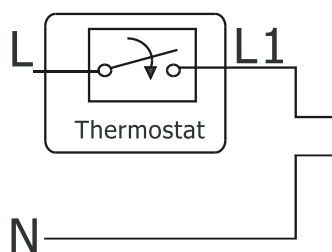
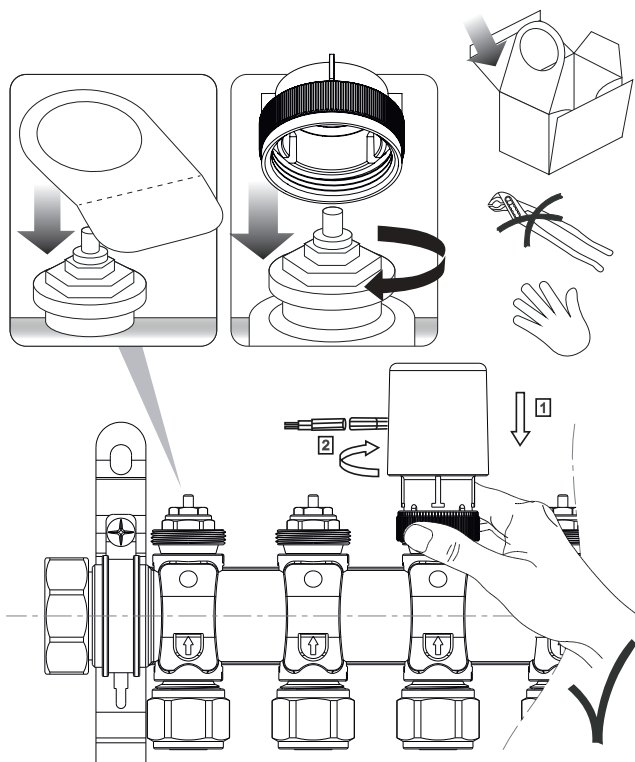
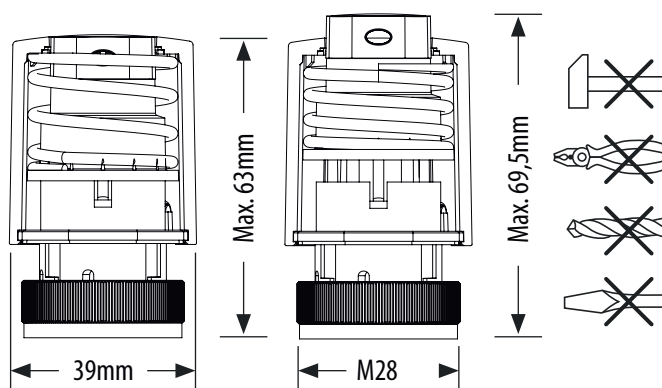


# SALUS

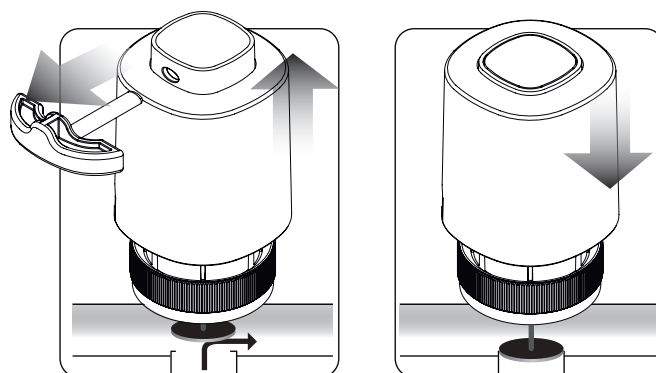
## MONTÁŽ



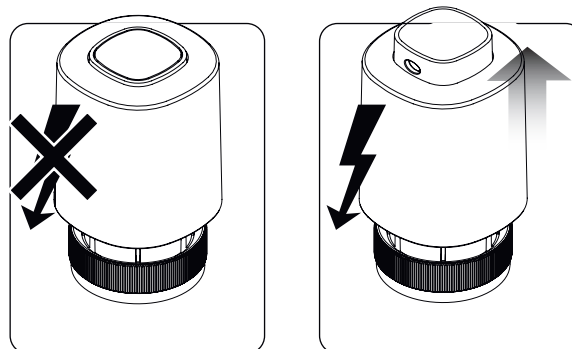
Max. zdvih - 4mm



**NC - BEZ NAPĚTÍ UZAVŘENÝ**  
Funkce "First Open"



**PRINCIP OPERACE**



**230V**

V= 230V

P= 2W

IMAX= 200mA - 200mS

IP54

5-60 °C

F= 100N+10%



PRODUCER:

Salus Limited

6/F, Building 20E, Phase 3, Hong Kong Science  
Park, 20 Science Park East Avenue, Shatin,  
New Territories, Hong Kong