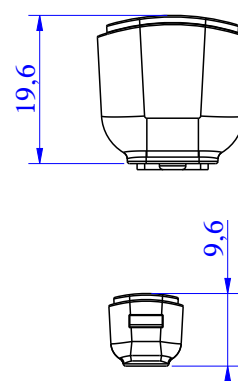
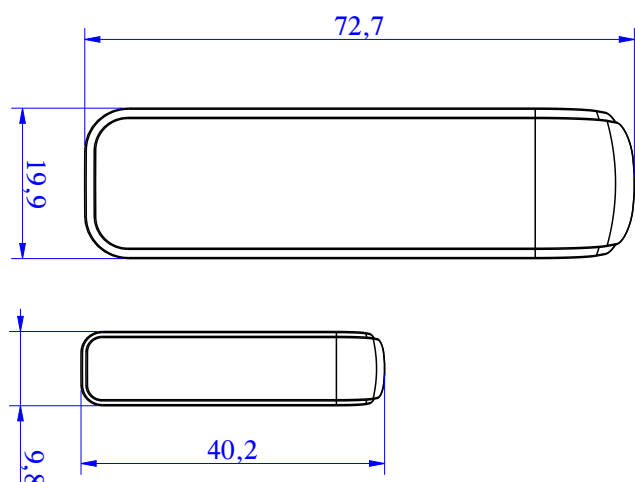


Produktdatenblatt Technical Datasheet



Fensterkontakt

Technische Information :

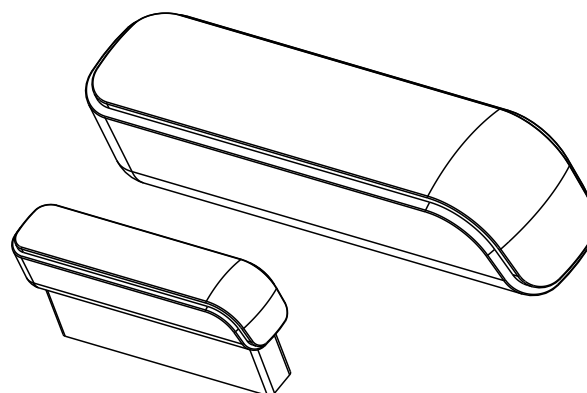
Produckname	Fensterkontakt
Dimensions	Sensor: 19,9x72,7x19,6mm Magnet: 9,8x40,2x9,6mm
Frequenz	Zigbee 2,4GHz
Max. Abstand zum Magneten	25mm zwischen Sensor und Magnet Oberfläche
Montageart	Schrauben oder doppelseiges Klebeband
Gewicht	45.0 g
LED Farbe	2-farbig LED (Rot+Grün)
Spannungsversorgung	1 x CR2 Batterie (500mAH, 3V)
Betriebstemperatur/ Feuchtigkeit	0°C – 40°C / 20% – 90%
Lagertemperatur/ Feuchtigkeit	-20°C - 60°C / 20% – 90%
Material	PC/ABS C2950
Farbe	Weiß
Textur	YS 11005
Zertifizierung	RoHS, CE

Window Sensor

Technical information :

Product name	Window Sensor
Dimensions	Sensor: 19,9x72,7x19,6mm Magnet: 9,8x40,2x9,6mm
Frequency	Zigbee 2,4GhZ HA 1.2
Max. Magnet Gap (Make distance)	25mm space between Sensor and Magnet Surface
Mounting option	Screws or double sides tape.
Overall product weight with battery	45.0 g
LED Colour	1 pc dual color LED (RED+Green)
Power Supply	1 x CR2 battery (500mAH, 3V) Replaceable.
Operating Temperature / Humidity	0°C – 40°C / 20% – 90%
Storage Temperature / Humidity	-20°C - 60°C / 20% – 90%
Material	PC/ABS C2950
Color	White
Texture	YS 11005
Environmental	RoHS
Agency Approvals	ZigBee Home Automation Public Application Profile - version 1.2 (TBC)
Agency Approvals:	CE

Design Ansicht / Design Views



Date/Version

10/18 – 1.0

Technical disclaimer

Alle Rechte vorbehalten. Technische Änderungen vorbehalten.
We reserve the right to alter our products without notice.
This also applies to products already on order provided
that such changes do not change the functionary
of the product

Contact

Salus Controls GmbH
Dieselstraße 34, Mühlheim am Main
D-63165, Germany
Tel: +49 (0) 6108 825850
info@salus-controls.de