

SD600

Smoke Detector



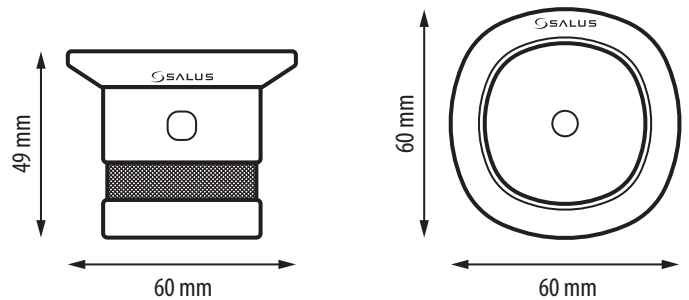
The SD600 is a smart photoelectric smoke sensor, with ultra-low-power Zigbee wireless network technology. Once smoke has been detected the red LED flashes rapidly and sounds the alarm alerting you and your family. It can also send you an alert via email or text message when used with the SALUS Smart Home system.

Characteristics

- Alerts about the detection of a threat (sound and light alarm)
- Synchronized with the UGE600 gateway and the SALUS Smart Home application, gives the possibility of notifying about the event (SMS and e-mail)
- Efficient warning system (to be used e.g. in hotels, warehouses)

Features

Product	Smoke Detector
Battery Lifespan	up to 3 year
Smoke Sensitivity	0.08 – 0.25dB/m
Connection	Zigbee 2.4 GHz HA1.2
Sound level	≤85dB/3m
Certificate	CE (EN14604), ROHS, KC, FCC
Dimensions (mm)	60 x 60 x 49
Warranty	5 year



Connection scheme

