

SB600

Smart Button



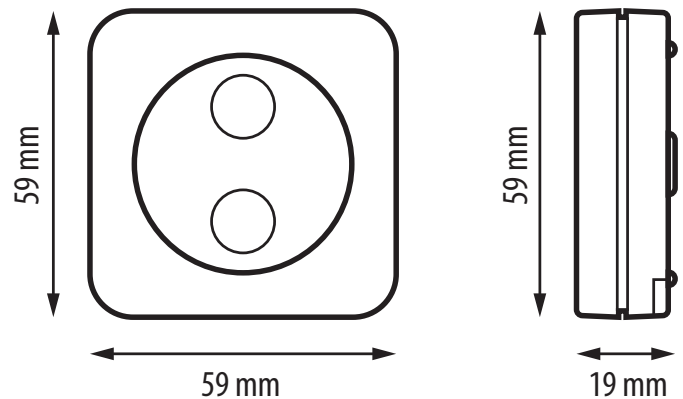
The Smart Button is used to trigger the “One touch” and “My Status” rules that you have created for your SALUS Smart Home system. Normally “One touch” and “My Status” rules are triggered via the SALUS Smart Home app, however the Smart Button provides an additional method. This product must be used with the Universal Gateway UG600 and the SALUS Smart Home App.

Characteristics

- Configuration done via the Smart Home app
- Easy installation – No engineer/electrician required
- 5 year warranty

Features

Product	Smart Button
Power	2 x AAA Batteries
Operating Temperature	0 – 40 °C
Communication	Wireless, ZigBee 2.4 GHz
Dimensions (mm)	59 x 59 x 19



Connection scheme

