

ZIGBEE RECEIVER

Model: RX30RF



MULTILINGUAL
MANUAL



Quick Guide

SALUS Controls, Units 8-10,
Northfield Business Park,
Forge Way, Parkgate
Rotherham, S60 1SD

SALUS Controls GmbH,
Dieselstrasse 34,
63165 Mühlheim am Main,
Germany

UK: tech@salus-tech.com
DE / NL: info@salus-controls.de
FR: technicalsupport@saluscontrols.fr
RO: tehnic@saluscontrols.ro
DK: Support@salus-controls.dk



www.saluscontrols.com

SALUS Controls is a member of the Computime Group
Maintaining a policy of continuous product development SALUS
Controls plc reserves the right to change specifications, design
and materials of products listed in this brochure without prior notice.



V01
XII/2024

Introduction

The RX30RF ZigBee receiver can be used for the wireless control of boiler, pump or zone valves in a HVAC system. It provides two channels relay on/off output and an OpenTherm interface, offering modulating control to the boiler flow water temperature directly to match the demand for the optimization of efficiency and heating control comfort. It can be paired with the ZigBee 3.0 Elyso room thermostat EL600T and SuperQuiet TRV TRV3RF to support multiple applications. The RX30RF should be mounted on a suitable location that is both accessible for the connection of mains and control wiring, and allows good reception of the RF signal from the ZigBee gateway.

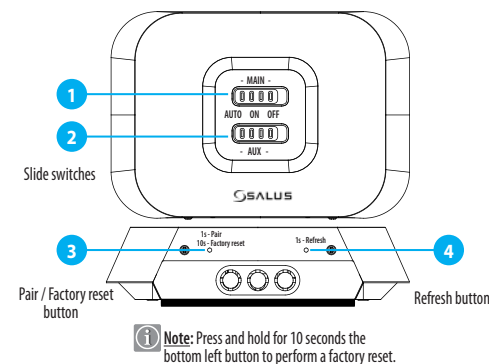
Product Compliance

This product complies with the essential requirements and other relevant provisions of Directives 2014/53/EU and 2011/863/EU. The full text of the EU Declaration of Conformity is available at the following internet address: www.saluslegal.com.
(P) 2405-2480MHz, <14dBm

Safety Information

To ensure both safety and optimal performance, the RX30RF receiver should be used in accordance with all relevant regulations. This device is designed exclusively for indoor use and must not be installed in environments exposed to extreme temperatures or other harsh conditions. Keep the receiver completely dry; any inadequate installation may cause damage or malfunction. Always disconnect the power before cleaning and use a dry cloth only. For safe operation, position the RX30RF receiver at a convenient height to allow easy access. The device's maximum operating temperature is 50°C, so avoid placing them in locations that may exceed this limit to prevent overheating. Adhering to these guidelines will ensure the long-term reliability and safety of the receiver.

Button functions



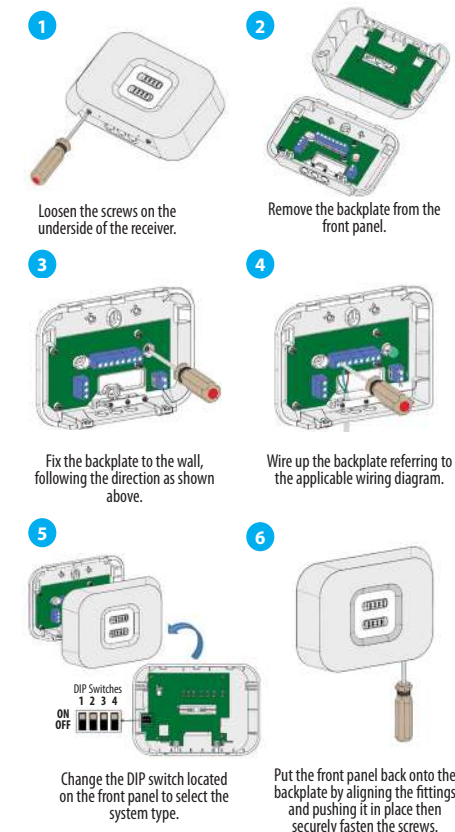
On/Off System:

Switch	Slide Position and Relay Outputs		
	AUTO	ON	OFF
MAIN	Relay output is controlled via ZigBee communications	Relay output is always on	Relay output is always off
AUX			

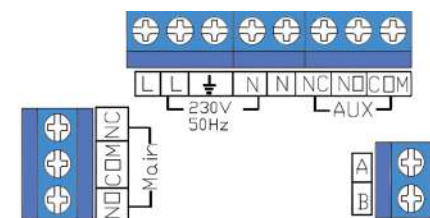
OpenTherm System:

Switch	Slide Position and OT/+ interface (A-B) Outputs		
	AUTO	ON	OFF
MAIN	OpenTherm Control Setpoint	OpenTherm max CH water Setpoint	OpenTherm boiler off (heat demand disabled)
AUX	No function		

Wiring and mounting

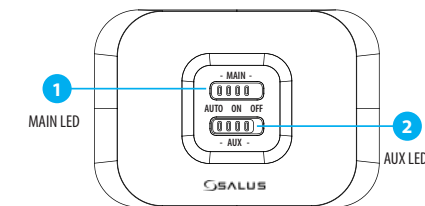


Terminals description



Terminal	Function
L	Incoming Mains - LIVE
⊥	Earth Parking
N	Incoming Mains - Neutral
NO	Main relay, Normally Open Contact
COM	Main relay, Common Contact
NC	Main relay, Normally Close Contact
NC	Auxiliary relay, Normally Close Contact
NO	Auxiliary relay, Normally Open Contact
COM	Auxiliary relay, Common Contact
A-B	Wire to OpenTherm Boiler

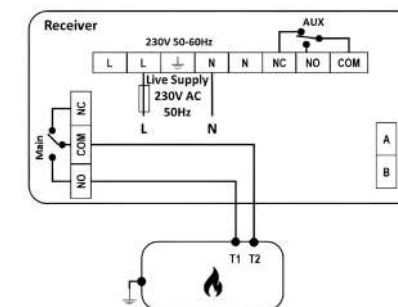
LED operation



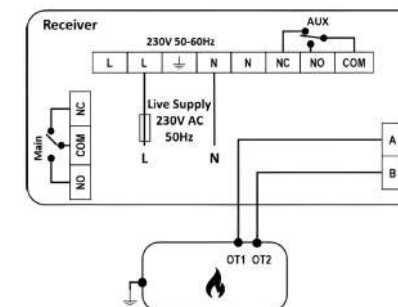
LED at Main/Aux	On/Off System	OpenTherm System
	Relay Off	OpenTherm Boiler Off
	Relay On	OpenTherm On
	Factory reset	
	Pairing mode	
	Standby mode, not connected	
	Lost link with gateway	
	Lost link with all paired thermostats or E-TRV	

Wiring diagrams

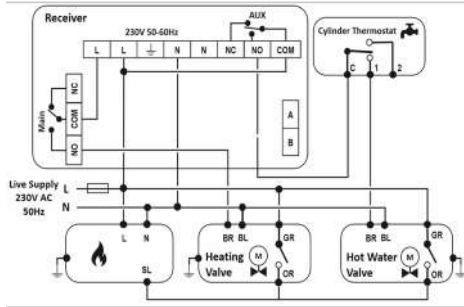
Volt-free Combi Boiler Control



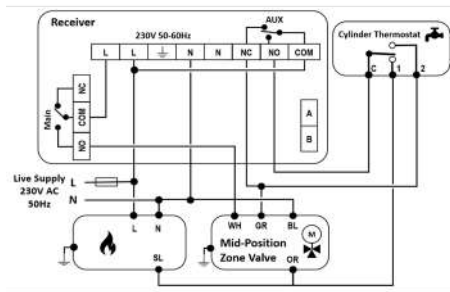
OpenTherm Boiler Control



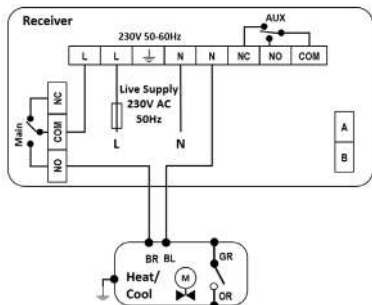
Central heating and DHW - 230V switching S plan



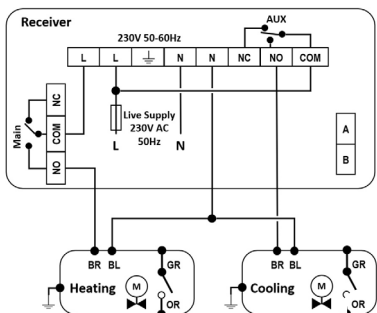
Central heating and DHW - 230V switching Y plan



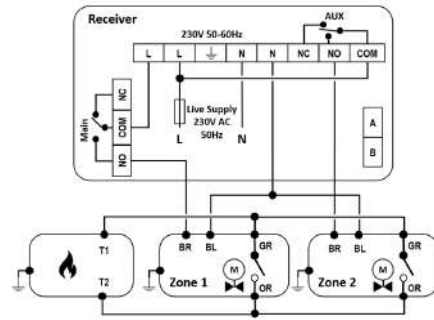
Heat/Cool 2-pipe Zone Valve Control



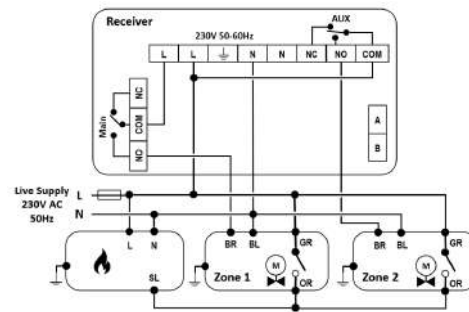
Heat/Cool 4-pipe Zone Valve Control



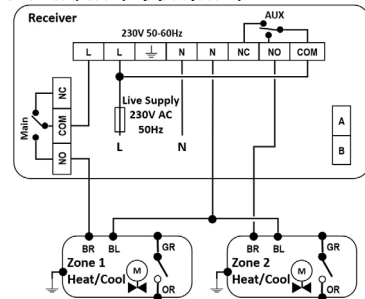
Dual zone heating - Volt-free Combi boiler



Dual zone heating - 230V Switching boiler



Dual zone Heat/Cool (2-pipe system)



System type selection

Application	Output Controls			
	Main relay	Aux relay	OpenTherm A-B	DIP Switch
Heating Only - OpenTherm	-	-	OT/+	1 2 3 4
Heating Only - On/Off	Heat	Sync with Main	-	1 2 3 4
Heat/Cool 2-pipe	Heat/Cool	Sync with Main	-	1 2 3 4
Heat/Cool 4-pipe system	Heat	Cool	-	1 2 3 4
Central Heating plus Domestic Hot Water - Supports S-Plan and Y-Plan wiring	Heat	Domestic Hot Water	-	1 2 3 4
Dual Zone Controls	Zone 1 Heat/Cool	Zone 2 Heat/Cool	-	1 2 3 4

Note: After the change of DIP switches, the new setting will become effective after a Factory Reset by pressing and holding the PAIR button for 10 seconds, which will make the Main/Aux LEDs light up orange.

Pairing process

Power on the device then follow these steps to gain control via the Salus Premium Lite app.

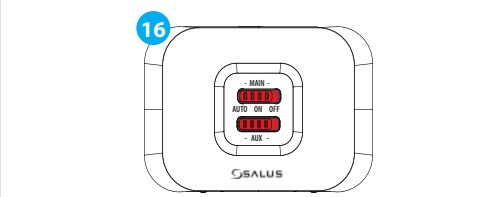
- This product must be used with the SALUS Premium Lite application on mobile or web by accessing the following link: eu.premium.salusconnect.io or by scanning the QR code below:



- Press and hold for 10 sec to perform factory reset.
- LEDs are solid orange.
- Short press for 1 sec to start pairing mode.
- LEDs are flashing red.
- Scan the QR code on the app.
- Follow the app instructions to pair the device.
- Configure the device settings in the app.

- View the app dashboard.
- Access the 'My Equipment' section.
- Click on 'Ungrouped Equipment' to manage devices.

- Welcome! Let's connect your equipment. Click 'Scan for equipment'.
- Let's connect your equipment. Check the list next to each piece of equipment you'd like to connect. Click 'Connect equipment'.
- Let's connect your equipment. Click the piece of equipment you'd like to configure.
- Pairing address. Enter the pairing address.
- Pair with device. Select the device to pair.



Note: The receiver can be configured as remote boiler switch or zone valve controller. It offers dual channel output. The first channel (Main output) can be paired with multiple Smart TRV up to a maximum of 16 units for a heat-on-demand function.

