

SALUS

Relay module SALUS Controls RM-16A



mounting in
a box Ø60



mounting only
inside buildings

Relay module RM-16A opens and closes the circuit in order to affect the work of other devices. Some uses of the module RM-16A with other Salus products are shown below:

1. Connection of the thermostat with the high voltage relay 230V (e.g. VS30/RT200/ERT20/ERT30/ERT50/VS10) with a gas boiler which requires free-voltage output NO/COM or NC/COM
2. Connection of the SALUS temperature regulator with the NO/COM relay (e.g. 091FL) with the boiler control which requires NC/COM output (NC/COM output is normally required in the solid fuel boiler controls)
3. Connection of the receiver transmitting power higher than it is allowed by the relay in a regulator. The maximum electricity consumption of the receiver cannot exceed 16A
4. Connection of the devices other than electro thermal actuators with the wiring centre (KL06-M/ KL08NSB /KL08RF/KL10/KL10RF) e.g. if you want to connect a pump or an electric heating mat instead of a electro thermal actuator.

PRODUCER:

SALUS Controls Plc Units
8-10 Northfield Business
Park Forge Way, Parkgate,
Rotherham S60 1SD,
United Kingdom



SALUS



Symbol meaning selecting electric electronic gear. Putting used gear with other waste products is strictly forbidden. The declaration of compliance is on www.salus-controls.pl site



Made in Poland

Relay module SALUS Controls
Product code: RM-16A



5 903669 088295

SALUS

Relay module

RM-16A

www.saluscontrols.com

SAFETY INFORMATION

Before connecting the relay module with a different device make sure that its parameters are consistent with the RM-16A module specification. Incorrect connection may cause undesirable action, excessive overheating and combustion hazard. To avert the hazard make sure that the relay module RM-16A is correctly connected. The connection of the device can be done only by a qualified installer who has up-to-date eligibility.

INTRODUCTION

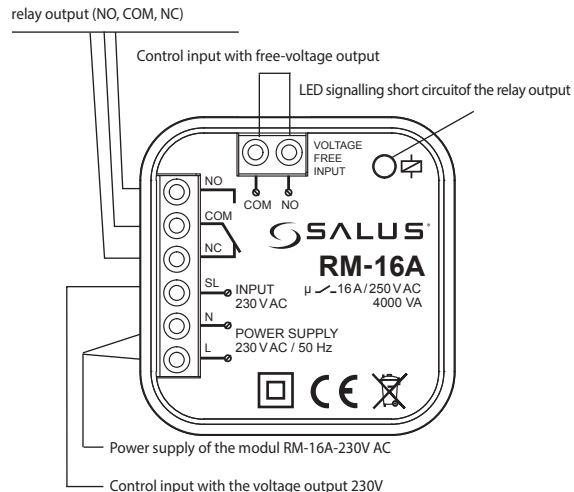
Relay module RM-16A opens and closes the circuit in order to affect the work of other devices. Some uses of the module RM-16A with other Salus products are shown below:

1. Connection of the thermostat with the voltage relay 230V (e.g. VS30/RT200/ERT20/ERT30/ERT50/VS10) with a gas-fired boiler which requires free-voltage output NO/COM or NC/COM
2. Connection of the SALUS thermostat with the NO/COM relay (e.g. 091FL) with the boiler control which needs NC/COM output (NC/COM output is normally required in the solid fuel boiler controls)
3. Connection of the receiver transmitting power higher than it is allowed by the relay in a regulator. The maximum electricity consumption of the receiver cannot exceed 16A
4. Connection of the devices other than electro thermal actuators with the wiring centre (KL06-M/KL08NSB /KL08RF/KL10/KL10RF) e.g. if you want to connect a pump or an electric heating mat instead of an electro thermal actuator.

PRODUCT SPECIFICATION

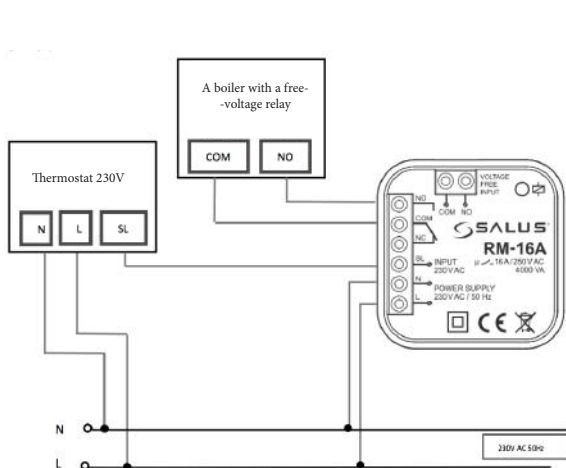
| | |
|-------------------|--|
| Power: | 16A / 250V AC, 4000VA |
| INPUT NO/COM: | Connection of a regulator with the free voltage relay NO/COM |
| OUTPUT NC/COM/NO: | Output receiver |
| INPUT SL: | Connection of the regulator with the voltage relay 230V |
| POWER SUPPLY N/L: | Power of 230V AC/50Hz |
| Measurements: | 47x47x21 |

VISUAL ASPECT



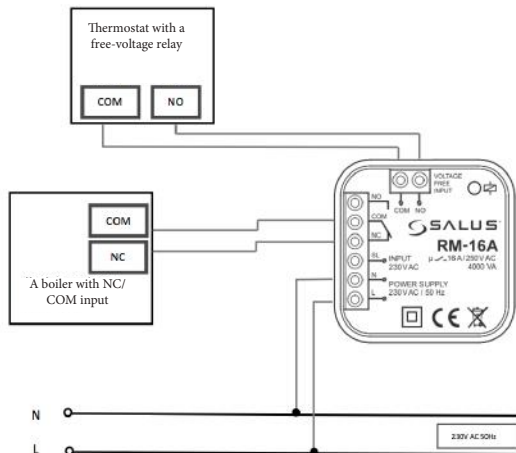
CONNECTION DIAGRAMS

1. Connection of the thermostat with a voltage relay 230V (e.g. VS30/RT200/ERT20/ERT30/ERT50/VS10) to a gas boiler which requires free-voltage output NO/COM.



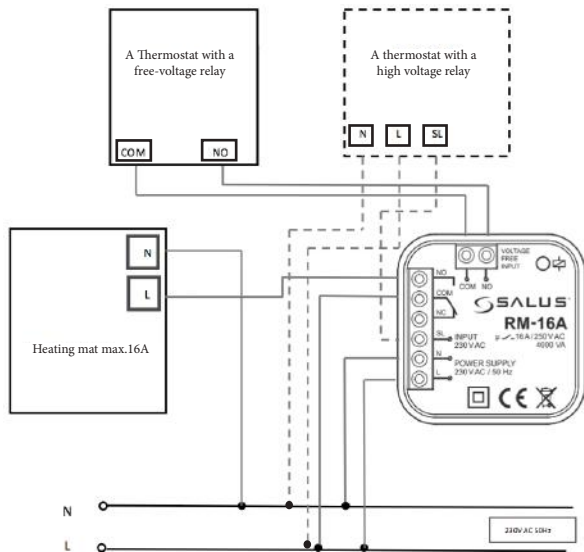
CONNECTION DIAGRAMS

2. Connection of the SALUS temperature regulator with NO/COM relay (e.g. 091FL) with a boiler control which requires NC/COM output (NC/COM output is normally required in solid fuel boilers controls).



CONNECTION DIAGRAMS

3. Connection of the receiver transmitting power higher than it is allowed by the relay in a regulator. The maximum electricity consumption of the receiver cannot exceed 16A



CONNECTION DIAGRAMS

4. Connection of the devices other than electro thermal actuators with the wiring centre (KL06-M / KL08NSB / KL08RF / KL10 / KL10RF) e.g. if you want to connect a pump or an electric heating mat instead of an electro thermal actuator.

