

Instruction Manual

Head Office:  
SALUS Controls  
Units 8-10, Northfield Business  
Park, Forge Way, Parkgate  
Rotherham, S60 1SD  
Email: sales@salus-tech.com



www.salus-controls.com

www.salus-controls.com

SALUS Controls is a member of the Computime Group  
Maintaining a policy of continuous product development SALUS Controls plc reserve the right to change specification, design and materials of products listed in this brochure without prior notice.



The following instructions are designed to help the engineer to install and maintain the Magnetic Filter safely and efficiently and should be followed and adhered to at all times. Make sure there is a water-filling pipeline behind the filter. During maintenance, check whether the lid seals are worn or damaged. The best practice is to replace the lid seal at each repair.

## 1. INTRODUCTION

The Magnetic Filter is specially designed for central heating systems. It can remove almost all the harmful black suspended iron oxide particles accumulated in the central heating system and protect the complete central heating system.

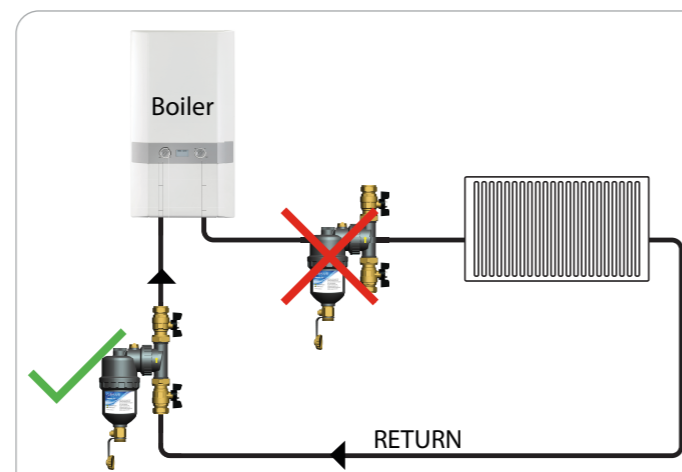
## 2. MOUNTING RECOMMENDATIONS

The filter can be installed in a variety of ways, for example: be installed at any location on the main pipeline. However, it is recommended to be installed after the last radiator and before the boiler on the primary return pipework for maximum protection and efficiency.



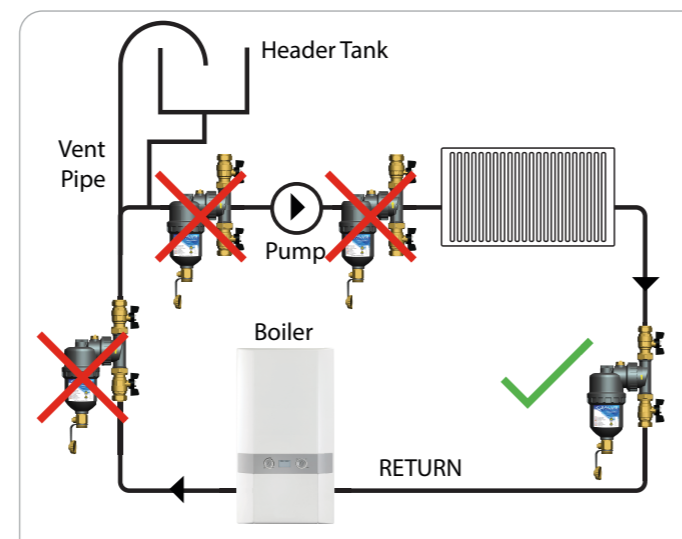
**Note:** It is important to have adequate access for maintenance and servicing when determining a suitable installation location.

### Recommended installation location



Combination/Sealed system

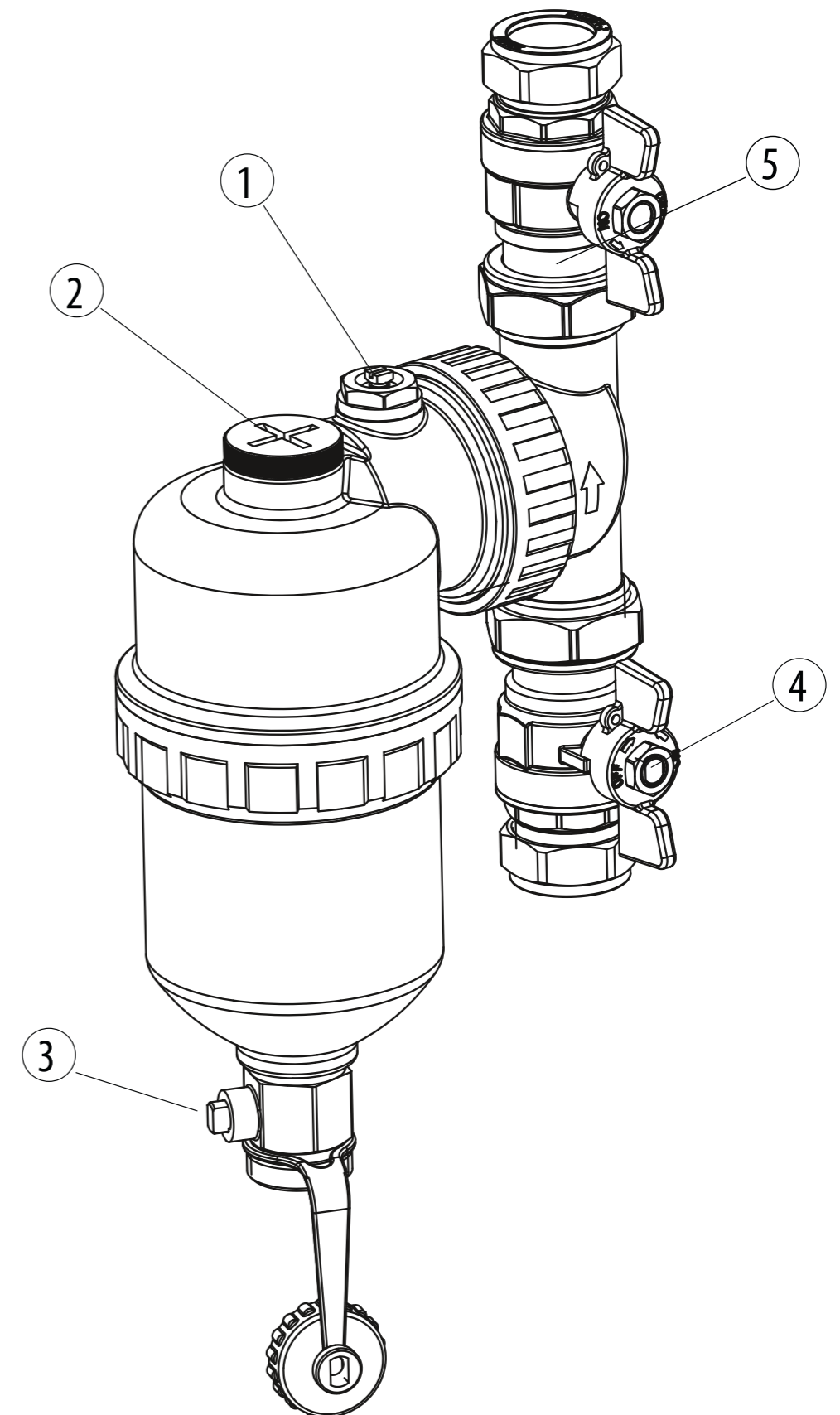
Figure 1



Open vented system

Figure 2

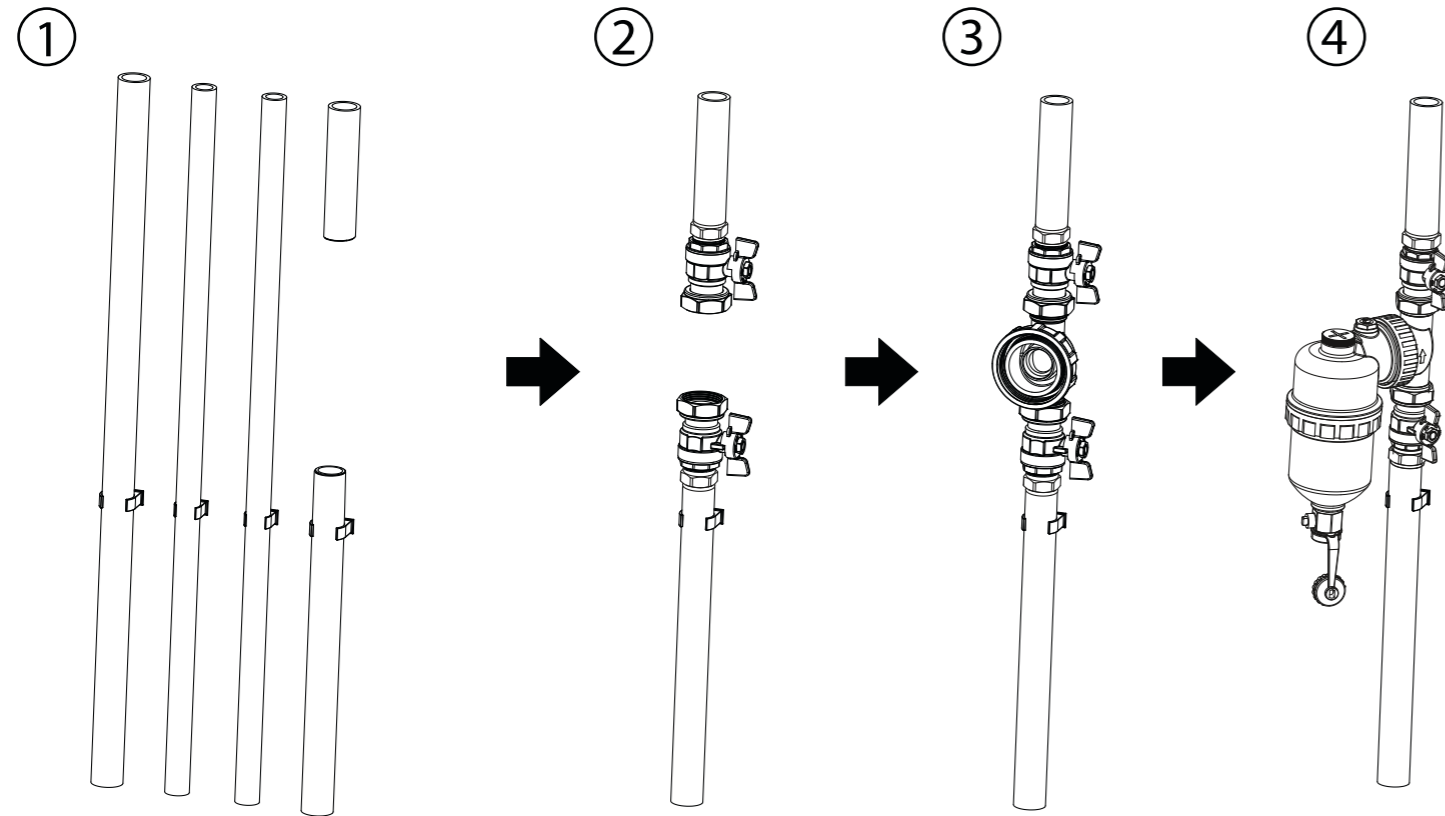
## 3. STRUCTURE INTRODUCTION




1	Air vent valve
2	Magnet bar
3	Drain valve
4	Inlet valve
5	Outlet valve

## 4. INSTALLATION METHOD

1. Cut and remove the section of the pipe according to the product installation length;
2. Install the valves onto the pipework, hand tighten only at first, then tighten securely the valve to the pipe;
3. Install the filter housing and tighten it;
4. Adjust the Angle and secure the filter;
5. Make sure the valves are open, allow the system to fill, open, and vent the filter through the air vent valve, close when complete.



## 5. MAINTENANCE AND SERVICING

 **Note:** Prior to carrying out any maintenance work, isolate the electrical supply to the boiler allowing the water to cool down to a safe working temperature.

1. Close both the isolation valves;
2. Open the drain valve, place a bucket or similar receptacle below ready to collect the debris. Take out the magnetic bar and store in a safe place;
3. Open the inlet valve to flush out the debris, once all the debris has been removed introduce a suitable chemical inhibitor into the system, we recommend Salus LX1 inhibitor, refit the magnetic bar;
4. Open the inlet and outlet valve, vent the filter through the air vent valve close when complete.

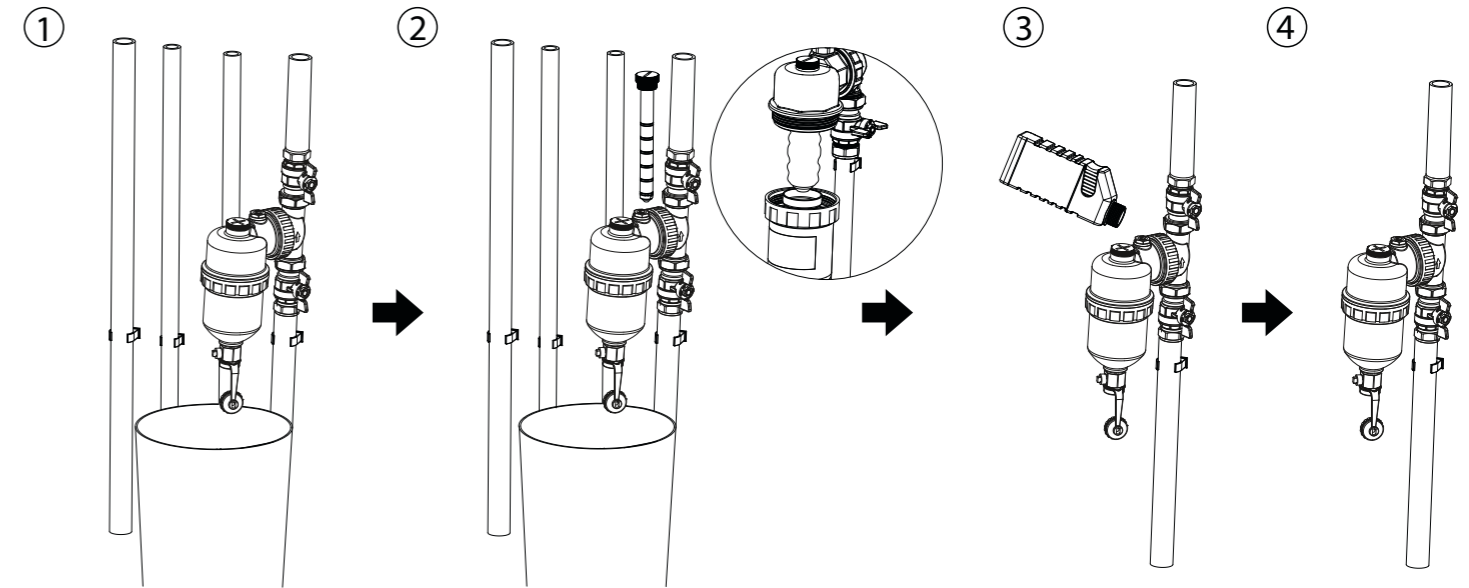
Check for any leaks;

5. Complete any relevant documentation.

IE: Dates and inhibitor used.



**Note:** It is recommended that the magnetic filter is installed and maintained by a competent and qualified person. Any queries arising from either installation or servicing, contact SALUS Controls at [techsupport@salus-tech.com](mailto:techsupport@salus-tech.com)



Maximum working pressure: 6bar

Flow rate: < 50 l/min

Maximum operating temperature: 95 °C

Direction of flow: follow the arrow



**Please note:**

1. The magnetic filter contains powerful magnets, please keep away from all electronic devices, bank cards and other magnetic devices;
2. The Magnetic Filter contains powerful magnets and should always be used with caution especially for devices such as pacemakers;
3. The Magnetic Filter is a pressurized device, pressure must be released prior to maintenance;
4. The Magnetic Filter device could be very hot during operation. Please be careful!

\* In order to maintain grounding continuity in accordance with the current IEE regulations, appropriate grounding cables should be installed on the pipe where necessary to bypass the product.

## Instruction manual of magnetic filter

\* Please read the product manual carefully before installation and use.