

# EVT7UK

## Tethered EV Charger

### About this product...

The SALUS EVT7UK Tethered EV Charger is a cutting-edge Mode-3 AC charging solution that delivers power ranging from 7kW to 11kW through a convenient Type-2 socket, perfect for efficiently charging your electric vehicle. Its sleek, unobtrusive design allows it to blend seamlessly into both indoor and outdoor settings, making it an ideal choice for residential use. The charger features a permanently attached cable for hassle-free connectivity, and its smart capabilities enable it to connect to your Wi-Fi network. Controlled via a specially designed smartphone app, users can easily monitor and manage charging activities, schedule off-peak charging to take advantage of lower electricity rates, and track energy consumption through detailed charging history. Additionally, the app supports NFC access management for secure user authorization and allows for the management of multiple chargers under a single account, enhancing the overall charging experience.



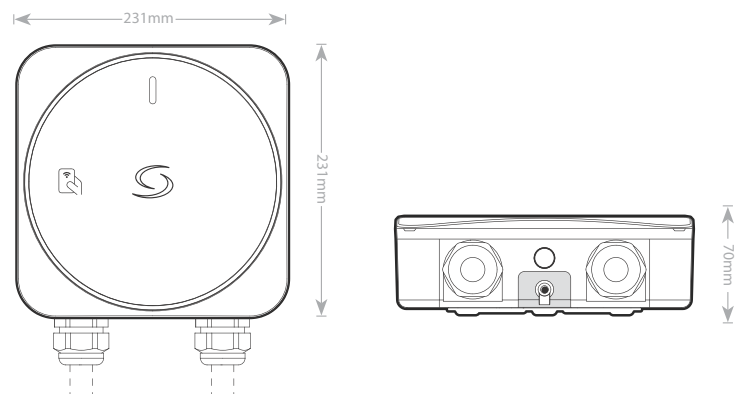
### Features

- Slim design
- Type 2 charging socket
- Mobile App operation
- PEN fault protection
- NFC reader for authentication
- 6mA DC residual current detection
- LED for logo and charging indicator
- Single phase & Three phase AC charger
- Y-shape metallic wall mount included and allow easy installation
- UK Smart Charge Point Regulations Compliant

### Specification

<b>Connectivity</b>	IEEE 802.11 bgn Wi-Fi (2.4GHz)
<b>Input Power</b>	230V AC 50Hz
<b>Charging Current &amp; Power</b>	32A / 7kW
<b>Charging Mode</b>	Mode 3
<b>Cable Section</b>	Up to 10mm <sup>2</sup>
<b>Cable Entry</b>	Bottom and rear side
<b>LED Display</b>	LED backlight for logo and multi-colour LED for charging status
<b>Guarantee</b>	5 Years

### Dimensions



## EVT7UK Tethered EV Charger - Technical Data

### Electrical and Mechanical Specifications

<b>Input voltage</b>	230V AC 50Hz
<b>Charging current &amp; power</b>	32A / 7kW
<b>Charging mode</b>	Mode 3
<b>Charging connector</b>	5 meter type 2 charging cable
<b>Charging entry</b>	Bottom and rear side
<b>Cable section</b>	Up to 10mm <sup>2</sup>
<b>Electrical protection</b>	6mA DC residual current detection Anti-welding protection Over current protection Over/under voltage protection Over temperature protection Surge protection PEN fault protection (EVT7UK only), without the need for additional earth rod installation.
<b>LED display</b>	LED backlight for logo and multi-colour LED for charging status
<b>NFC reader</b>	Mifare (13.56MHz), ISO14443-A
<b>Connectivity</b>	IEEE 802.11 bgn Wi-Fi (2.4GHz)
<b>Communication</b>	Mobile App operation
<b>Firmware update</b>	Over the air firmware update capability
<b>Security</b>	Wi-Fi : WEP, WPA-TKIP, WPA2-CCMP, PMF and WPA3
<b>Ingress protection rating</b>	IP65
<b>Impact protection rating</b>	IK08
<b>Material (Enclosure)</b>	PC UV stabilized (UL94 V-0 fire rated)
<b>Storage temperature</b>	-30°C to 80°C
<b>Operating temperature</b>	-25°C to 50°C
<b>Operating humidity</b>	Up to 95% RH (non-condensed)
<b>Working altitude</b>	Up to 2,000m
<b>Dimensions (H x W x D)</b>	231mm x 231mm x 70mm
<b>Net weight</b>	4.7kg
<b>Accessory</b>	Y-shape mount, NFC card x 3pcs and Cable and connector holder

Model	Number of Phases	Input Power	Charging power up to	PEN Fault Protection	UK Smart Charge Point Regulation Compliant	Operating Temperature
EVT7UK	Single-Phase	230V AC 50Hz	32A / 7kW	YES	YES	-25C to 50C

### Standard & Compliance

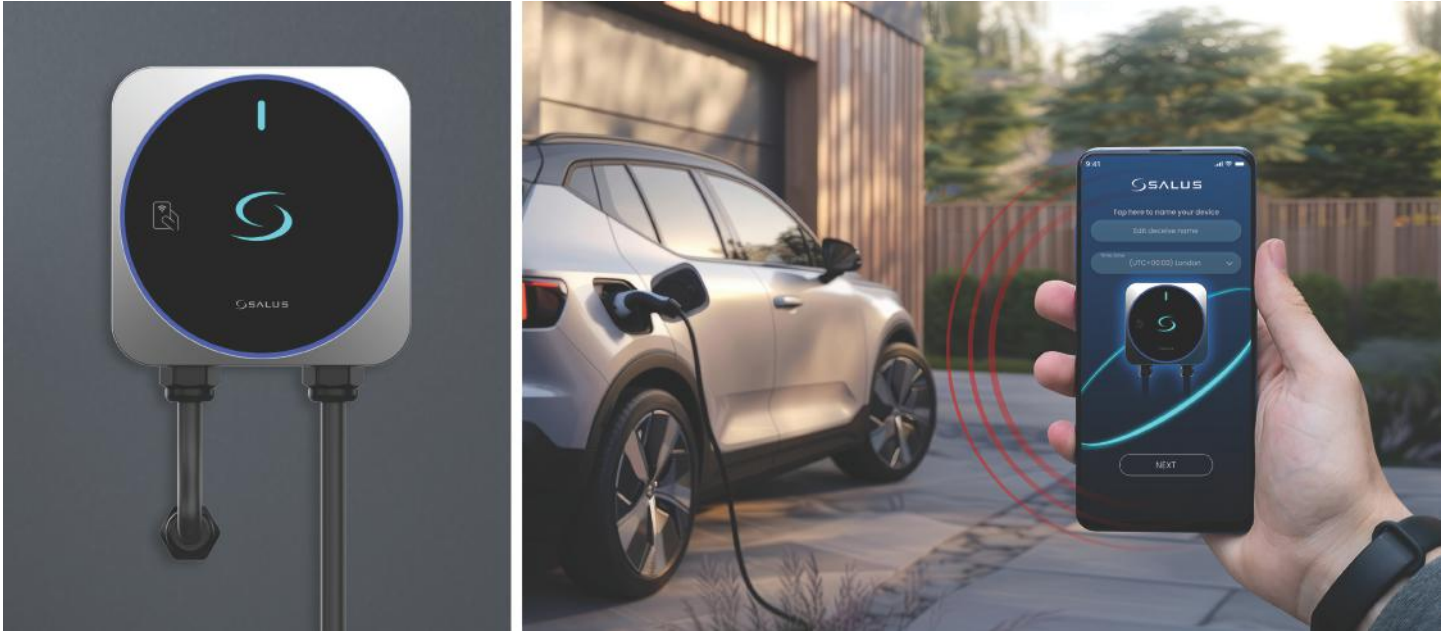
IEC 61851-1:2019, IEC 61851-21-2:2021

Specifications are subject to change without notice. The installation, maintenance, & servicing of the charger must be performed only by a qualified personnel per applicable local regulations. The installer must ensure the installation follows local, regional and national regulations and guideline. Certified Circuit Breakers and RCD should be installed upstream. The installer must select the RCD, Circuit Breaker, earthing configuration (ground earth connection is required) and any devices by following the current local regulations. The EV charger is preferably installed at a location in a surge protected environment, one effective measure would be installing a Surge Protective Devices (SPD). Local installation guideline should also be followed to ensure the unit is installed in accordance to any local restrictions.

## Control & Monitor from anywhere...

With the SALUS Premium Lite App.  
Download it from Google Play or the App Store.

\*Subscription service required via SALUS Premium Lite App



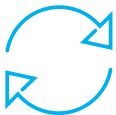
## Market Leading Features...

The app features at-a-glance charging monitoring and control, off-peak schedule to start charging when your electricity is cheapest, charging history to track charging activities and analyze energy consumption, NFC access management to allow only users with authorized NFC card to use your charger, and multi-chargers management in one user account to streamline the monitoring process if you have multiple chargers.



### Powerful Charging...

Charges on single and three phase power and supports charging from 7kW to 11kW it has Type 2 universal charging connector.



### Regular Updates...

Software is updated regularly ensuring the EV7UK EV Charger is a safe and future proof product.



### Weatherproof...

With IP65 for the enclosure and IP54 for the socket the EV7UK EV Charger can withstand all types of weather conditions

## Control via the App...

Easily control and monitor from your phone.



Scan QR Code to View Product on Website