

EV7UK

EV Charger

About this product...

This Mode-3 AC EV charger series provides charging power from 7kW up to 11kW through a Type-2 charging socket for connecting a charging cable to charge your Electric Vehicles. Its slim and thin design would make it fit for any indoor and outdoor environment without being obtrusive, making them the ideal solution for residential use.

It connects to the Internet via Wifi network and can be operated by using smartphone App. The app features at-a-glance charging monitoring and control, off-peak schedule to start charging when your electricity is cheapest, charging history to track charging activities and analyze energy consumption, NFC access management to allow only users with authorized NFC card to use your charger, and multi-chargers management in one user account to streamline the monitoring process if you have multiple chargers.



INCLUDES
**PEN FAULT
PROTECTION**

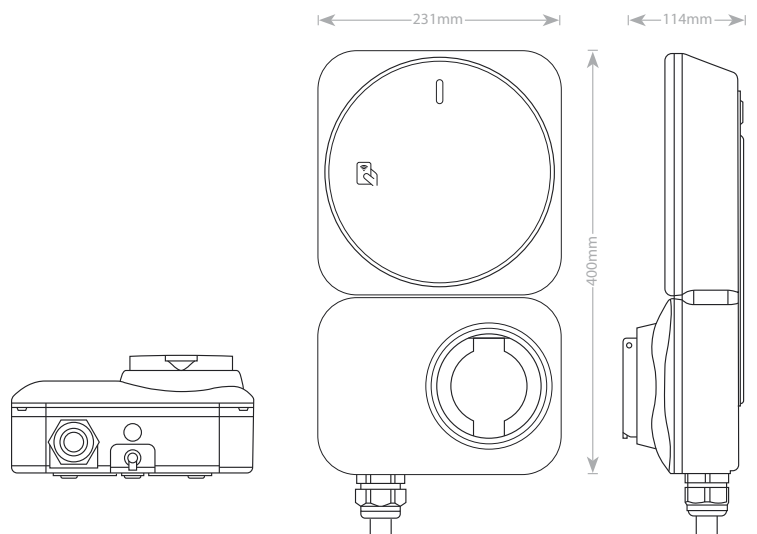
Features

- Slim design
- Type 2 charging socket
- Mobile App operation
- PEN fault protection
- NFC reader for authentication
- 6mA DC residual current detection
- LED for logo and charging indicator
- Single phase & Three phase AC charger
- Y-shape metallic wall mount included and allow easy installation
- UK Smart Charge Point Regulations Compliant

Specification

Connectivity	IEEE 802.11 bgn Wi-Fi (2.4GHz)
Input Power	230V AC 50Hz
Charging Current & Power	32A / 7kW
Charging Mode	Mode 3
Cable Section	Up to 10mm ²
Cable Entry	Bottom and rear side
LED Display	LED backlight for logo and multi-colour LED for charging status
Guarantee	5 Years

Dimensions



EV7UK EV Charger - Technical Data

Electrical and Mechanical Specifications

Input voltage	230V AC 50Hz
Charging current & power	32A / 7kW
Charging mode	Mode 3
Charging connector	IEC 62196 type 2 socket with lock
Cable section	Up to 10mm ²
Electrical protection	6mA DC residual current detection Anti-welding protection Over current protection Over/under voltage protection Over temperature protection Surge protection PEN fault protection (EV7UK only), without the need for additional earth rod installation.
LED display	LED backlight for logo and multi-colour LED for charging status
NFC reader	Mifare (13.56MHz), ISO14443-A
Connectivity	IEEE 802.11bgn Wi-Fi (2.4GHz)
Communication	Mobile App operation
Firmware update	Over the air firmware update capability
Security	Wi-Fi : WEP, WPA-TKIP, WPA2-CCMP, PMF and WPA3
Ingress protection rating	IP65 for enclosure IP54 for socket
Impact protection rating	IK08
Material (Enclosure)	PC UV stabilized (UL94 V-0 fire rated)
Storage temperature	-30°C to 80°C
Operating temperature	-25°C to 45°C (up to 50°C with output power reduction)
Operating humidity	Up to 95% RH (non-condensed)
Working altitude	Up to 2,000m
Dimensions (H x W x D)	400mm x 231mm x 114mm
Net weight	3.7kg
Accessory	Y-shape mount NFC card x 3pcs

Model	Number of Phases	Input Power	Charging power up to	PEN Fault Protection	UK Smart Charge Point Regulation Compliant	Operating Temperature
EV7UK	Single-Phase	230V AC 50Hz	32A / 7kW	YES	YES	-25C to 50C

Standard & Compliance

IEC 61851-1:2019, IEC 61851-21-2:2021

Specifications are subject to change without notice. The installation, maintenance, & servicing of the charger must be performed only by a qualified personnel per applicable local regulations. The installer must ensure the installation follows local, regional and national regulations and guideline. Certified Circuit Breakers and RCD should be installed upstream. The installer must select the RCD, Circuit Breaker, earthing configuration (ground earth connection is required) and any devices by following the current local regulations. The EV charger is preferably installed at a location in a surge protected environment, one effective measure would be installing a Surge Protective Devices (SPD). Local installation guideline should also be followed to ensure the unit is installed in accordance to any local restrictions.

Control & Monitor from anywhere...

With the SALUS Premium Lite App.
Download it from Google Play or the App Store.

*Subscription service required via SALUS Premium Lite App



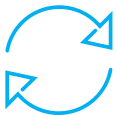
Market Leading Features...

The app features at-a-glance charging monitoring and control, off-peak schedule to start charging when your electricity is cheapest, charging history to track charging activities and analyze energy consumption, NFC access management to allow only users with authorized NFC card to use your charger, and multi-chargers management in one user account to streamline the monitoring process if you have multiple chargers.



Powerful Charging...

Charges on single and three phase power and supports charging from 7kW to 11kW it has Type 2 universal charging connector.



Regular Updates...

Software is updated regularly ensuring the EV7UK EV Charger is a safe and future proof product.



Weatherproof...

With IP65 for the enclosure and IP54 for the socket the EV7UK EV Charger can withstand all types of weather conditions

Control via the App...

Easily control and monitor from your phone.



Scan QR Code to View Product on Website