

EP310

3 Channel Programmer



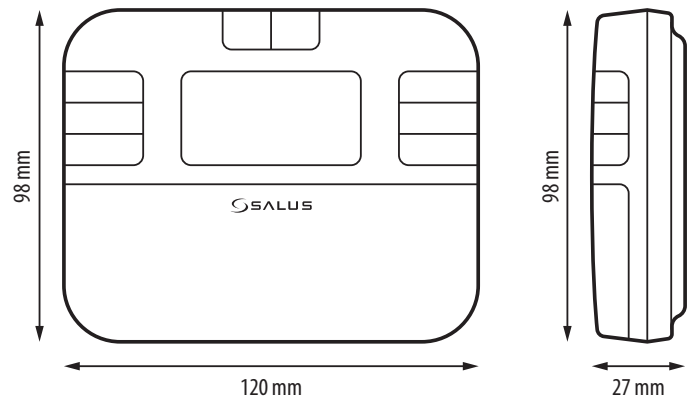
The three-channel surface-mounted programmer facilitates the operation of electrical devices (such as pumps or lighting) by setting their operation time (on and off). It has a display which makes it even more useful.

Characteristics

- Can only be used for 230V applications.
- Time control for the two heating zones and hot water zone
- 3 On/Off periods
- Can control three separate devices
- Works in a daily or 5-2 cycle (Mon-Fri + Sat-Sun)
- 3 time intervals can be created for each channel (accuracy to the minute)
- Maintains clock settings
- Large, easy to read LCD
- Holiday function
- Advance function
- Boost function
- Simple installation
- Default program
- 5 Year Warranty

Features

| | |
|-----------------|----------------------|
| Product | 3 Channel Programmer |
| Power | 230V AC 50 Hz |
| Max. load | 3 (1) A |
| Output | 3 x SPDV 230V AC |
| Dimensions (mm) | 120 x 98 x 27 |
| Nr. of channels | 3 |



Connection scheme

