

ELYPSO

EL600F + RX30RF
+ TRV3RF



About this product...

The SALUS ELYPSO system comprises the EL600F Smart Thermostat, RX30RF Boiler Receiver, and TRV3RF Smart Radiator Valve, forming a comprehensive solution for modern heating management. As part of the SALUS Smart Home product line, this system allows users to control their heating from anywhere using the SALUS Premium App. By adding additional TRV3RF valves to radiators throughout the home, users gain complete control over their heating system, enabling them to customize temperatures in different rooms according to their needs. With its innovative WiFi connectivity and user-friendly app interface, the ELYPSO system makes it easy to adjust settings remotely, ensuring optimal comfort and energy efficiency at all times. This targeted heating approach not only enhances comfort but also helps save energy and reduce costs by heating only the necessary rooms.

Features

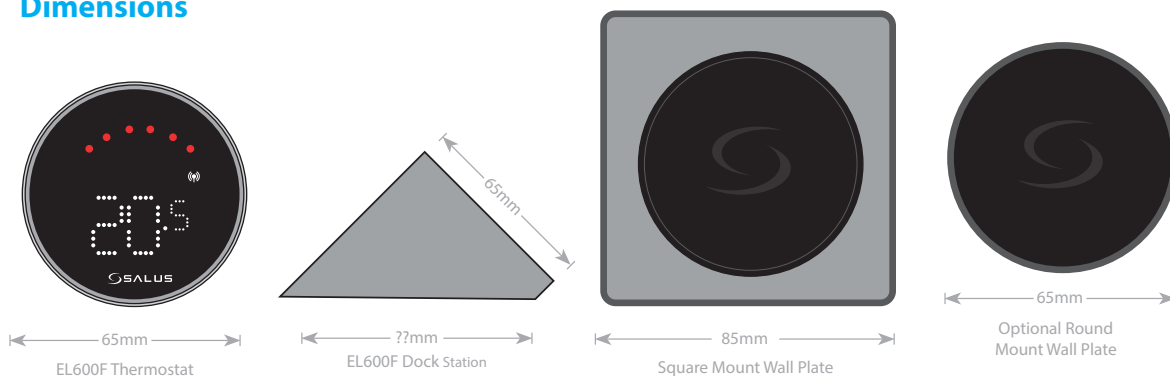
- Internet Connected Thermostat, Receiver and TRV
- Wi-Fi Connectable via bluetooth connection
- Thermostat has rechargeable battery - wireless recharging via dock station
- Local access to change most parameters - no local schedule
- Full Remote Control via SALUS Smart Premium App
- Shut down mode and optimization features - Optimum start and stop
- Always on display if installed on docking station
- Lock/Unlock function on Thermostat and TRV3RF
- Part of the SALUS Smart Home range
- Control additional TRV3RF radiator valves (Up to 16)

EL600F Thermostat - Technical Data

Electrical and Mechanical Specifications

Connectivity	Local communication via Zigbee 2.4GHz
Input Power	Battery powered Thermostat 230V AC Receiver
Press button	Menu access / Validation
Dial Button	Scrolling through options
Battery	750mAh Lithium-Ion (rechargeable)
Charge Time	24Hr max without always on feature / 48Hr max with always on feature
Dimensions	65mm Diameter / 25.6mm Deep
Material (Housing)	Aluminium Body, Sleek Matt Glass Face
Operating Temperature	-20°C to +40°C
Storage Temperature	-30°C to +40°C
Installation	Surface (Includes both circular and square mounting bezels) or Desktop mounting
Safety Approval	Class I
Temperature Calibration	Thermostat temperature calibration feature
Optimal Start / Stop	Optimum Start / Stop feature
Customer Alerts	Email / Text alert notifications
Display Resolutions	Selectable temperature display resolutions
Landlord Function	Thermostat lockable via App
Dual Control	Controls both heating and cooling systems
App Control	Subscription-free access to Premium Lite app
Local Control	Dial Button Scrolling through options
Local Access	Limited Local Menu access with push button selection
Channels	Single channel relay with flexible-use volt free switch
Charging period	24 hours each 1 to 2 years
Charging	Via charging dock with USB type C connection
App Connectivity	Wi-Fi 2.4GHz via Bluetooth LE (For provisioning)
Protocol	Selectable heating and cooling control algorithms including TPI
Compatability	UK Boiler Plus compatible
Pairing	Thermostat and receiver arrive factory paired and will work locally out of the box
Control	Control locally or remotely via SALUS Premium Lite App
Expandability	Add additional devices (up to 16 in total)
Guarantee	5 Years

Dimensions



RX30RF Receiver - Technical Data

Electrical and Mechanical Specifications

Connectivity	WiFi 2.4GHz Bluetooth LE (For provisioning)
Input Power	230V AC 50Hz
Switch Rating	16(5) amp
Output	0 - 230V
Dimensions	L - 145 H - 100 D - 35mm
Material (Housing)	Plastic
Operating Temperature	-20°C to +40°C
Safety Approval	Class I
Zigbee Standard	3.0/IT600
Device functionality	Routing
Security Policy	Pre-configure shared link key and Install code
OTA encryption key	Required
Pairing	Via Gateway
Guarantee	5 Years

TERMINAL	LABEL	FUNCTION
1	NO	Main(CH1) Normal Open Contact (Volt free input)
2	COM	Main(CH1) Common Contact (Volt free input)
3	NC	Main(CH1) Normal Close Contact (Volt free input)
4	L	Mains Live input
5	L	Mains Live input
6	GND	Mains Earth park
7	N	Mains Neutral input
8	N	Mains Neutral input
9	NC	AUX(CH2) Normal Close Contact (Volt free input)
10	NO	AUX(CH2) Normal Open Contact (Volt free input)
11	COM	AUX(CH2) Common Contact (Volt free input)
12	A	Wire to OpenTherm Boiler
13	B	Wire to OpenTherm Boiler

LED Indication and Pattern

DESCRIPTION	LED 1	LED 2
Factory Reset	Solid Orange(Red+Green) for 10 sec	Solid Orange(Red+Green) for 10 sec
Joining Network	Flash Red @1Hz (1x per second)	Flash Red @1Hz (1x per second)
Device not in Network/ Loss Link with bound device	Flash Red @2Hz (2x per second), regardless of the switch position	Flash Red @2Hz (2x per second), regardless of the switch position
Loss Link With Coordinator	Flash Red Pattern3	NA
Relay is ON	Solid Green	Solid Green
Relay is Off	Solie Red	Solid Red
Endpoint 1 is identity and in Wait for Pair	Flash Green Pattern1	-
Endpoint 2 is identity and in Wait for Pair	-	Flash Green Pattern1
When Manual On/Off switch is disabled but switch is at On or Off position	The corresponding LED at the switch flash Orange @1Hz (1x per second)	The corresponding LED at the switch flash Orange @1Hz (1x per second)
Identify(from gateway)	NA	Flash Green @2Hz (2x per second)

The Red and Orange/Green Color of LED1 and LED2 will not show at the same time. During the time when Green is ON, Green will show up when Red flash-off pattern.

For example

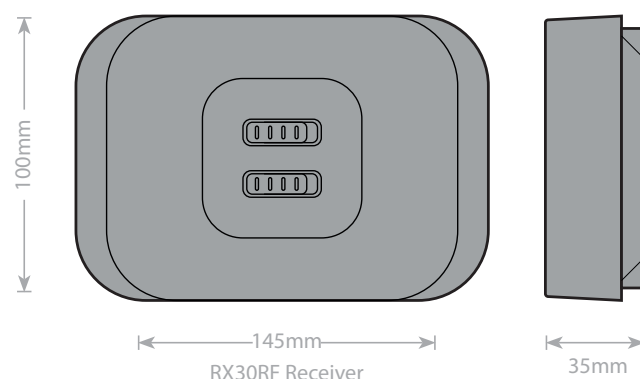
When Relay is ON and device is in joining network

The pattern would be: Red ON Green OFF 0.25s, Red OFF Green ON 0.25s, Red ON Green OFF 0.25s, Red OFF Green ON 0.25s, Red ON Green OFF 0.25s, Red OFF Green ON 3.75s

When Relay is OFF and device is in joining network

The pattern would be: Red ON Green OFF 0.25s, Red OFF Green OFF 0.25s, Red ON Green OFF 0.25s, Red OFF Green OFF 0.25s, Red ON Green OFF 0.25s, Red OFF Green OFF 3.75s

Dimensions



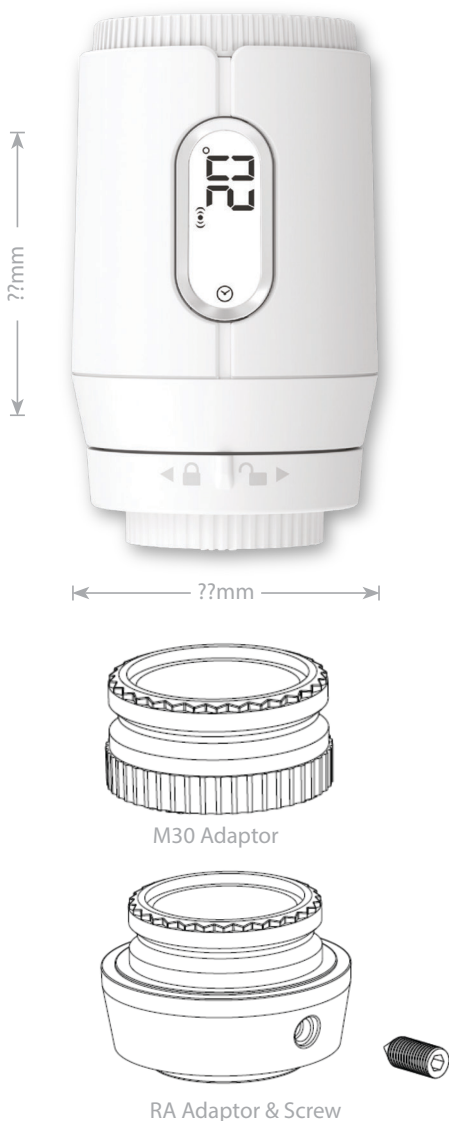
TRV3RF Radiator Valve - Technical Data

Electrical and Mechanical Specifications

Features

- Zigbee 3.0 device
- Built-in dual thermal sensors for accurate temperature control.
- LCD Display for latest set point and local temperature
- 2 x AA alkaline batteries with battery life 18 months
- Output force 100N
- Standard water valve adaptor: M30, M28 and RA valve
- Quick release for the TRV installation

Dimensions



Connectivity	WiFi 2.4GHz Bluetooth LE (For provisioning)
Input Power	2 x AA alkaline battery
Relative humidity (non-condensed)	10% - 95% RH
Storage temperature	-30°C – 60°C
Dimensions	L - 145 H - 100 D - 35mm
Material (Housing)	Plastic
Operating Temperature	0°C to +50°C
Dust and water proof level	IP30
Noise level	Maximum 22dBA @30cm away
Output force	100N
Motor type	DC
RF Range	RF Range 100m LOS in open area
Unit of temp measurement	°C or °F
Low battery point	2.3V
Internal temp setpoint resolution	0.5°C; 1°F
Guarantee	5 Years

Icon Description and Functionalities

ICON NAME	EXAMPLE	DESCRIPTION
Temperature		Ambient Temperature and Setpoint (supports 4 orientations)
RF Connection		Visible when network connected. Flash during provisioning or no signal after provisioning.
Battery Level		Supports 4 level of battery status (will only show low battery level alarm in the production version)
Child Lock		Key Lock
Off mode		Visible when TRV is in off mode (frost protection is on)
Schedule mode		Visible when TRV is running in programming mode, including temporary override
Binding mode		Indicate TRV is bound with other device in the Zigbee network

Control & Monitor from anywhere...

With the SALUS Premium Lite App.
Download it from Google Play or the App Store.



Call for Heat sent via WiFi from EL600F Thermostat to RX30RF Receiver

Signal received by boiler until desired heat achieved

Signal received by individual TRV valves, heating radiator until desired temperature achieved

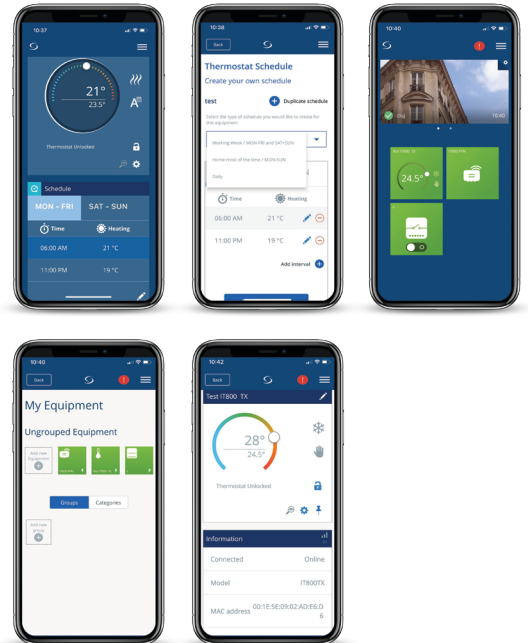
Wall mounted or Desktop ...

The SALUS EL600F Smartphone controlled thermostat offers versatile installation options, allowing it to be either wall-mounted using the square or round mounting plate or placed on a desktop using the USB docking station.



Control via the App...

Default screen is the thermostat only.



Scan QR Code to View Product on Website