



Multilanguage manual



Quick Guide



HEAD OFFICE

SALUS Controls, Units 8-10,
Northfield Business Park,
Forge Way, Parkgate
Rotherham, S60 1SD

SALUS Controls GmbH,
Dieselstrasse 34,
63165 Mühlheim am Main,
Germany

UK: tech@salus-tech.com
DE / NL: info@salus-controls.de
FR: technicalsupport@saluscontrols.fr
RO: tehnic@saluscontrols.ro
DK: Support@salus-controls.dk

INPUT: 230V AC, +/- 10%, 50Hz
SWITCHING CAPACITY: 16(5)A

www.saluscontrols.com



SALUS Controls is a member of the Computime Group. Maintaining a policy of continuous product development SALUS Controls plc reserve the right to change specification, design and materials of products listed in this brochure without prior notice.



V01
XII/2024

Introduction

The SALUS SSR868 is a super slim receiver (only 22 mm) that is designed to control electrical infrared panels. The receiver has a 10A relay and is compatible with most IR panels on the market. It includes a 3M cable and has IP54 rating protection. It can be installed in bathrooms or rooms with high humidity levels. The SSR868 receiver is compatible with our 868MHz range of thermostats: RT310TX, RT510TX, RT520TX, ERT20TX, ST325TX and 091FLRF(TX).

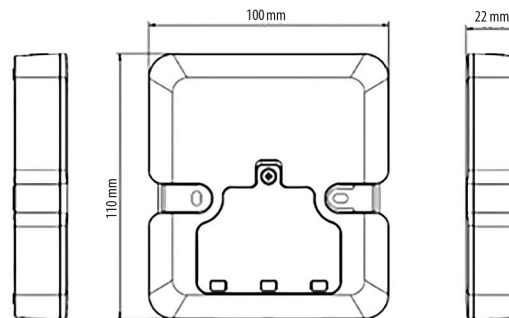
Product Compliance

This product complies with the essential requirements and other relevant provisions of Directives 2014/53/EU and 2015/863/EU. The full text of the EU Declaration of Conformity is available at the following internet address: www.saluslegal.com.
(P) 868.0 MHz - 868.6 MHz; <13dBm

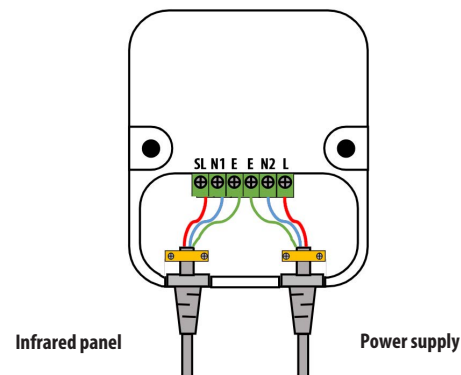
Safety Information

To ensure both safety and optimal performance, the SSR868 receiver should be used in accordance with all relevant regulations. This device is designed exclusively for indoor use and must not be installed in environments exposed to extreme temperatures or other harsh conditions. Keep the receiver completely dry; any inadequate installation may cause damage or malfunction. Always disconnect the power before cleaning and use a dry cloth only. For safe operation, install the SSR868 receiver at a convenient height to allow easy access. The device's maximum operating temperature is 50°C, so avoid placing them in locations that may exceed this limit to prevent overheating. Adhering to these guidelines will ensure the long-term reliability and safety of the receiver.

Dimensions



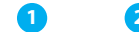
Wiring diagram



Button functions



- 1. MODE button:** Auto/On/Off selection
- 2. PAIR button** for quick pairing procedure




 **Note:** The SSR868 supports 3 modes: Auto, Manual and Off. Switch between them by short pressing the Mode button:

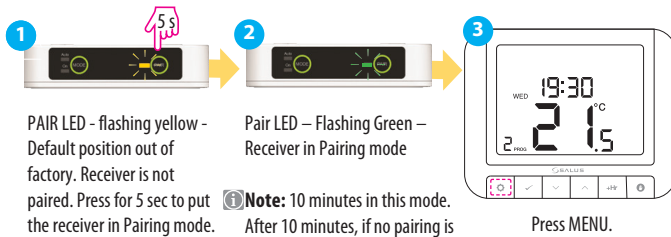
- Auto mode (Green Auto LED): thermostat controls the relay of the receiver.
- Manual mode (Green ON LED): the relay is always activated.
- Off mode (No LED on Auto or On): the relay is off.

LED Operation	Auto LED	ON LED	Pair LED
Out of Factory	Off	Off	Flashing YELLOW
Pairing mode During procedure	Off	Off	Flashing GREEN
Lost Pairing Auto mode Relay Off (55 min each hour)	Off	Off	Flashing RED
Lost Pairing Auto mode Relay On (5 min each hour)	On	Off	Flashing RED
Lost Pairing Manual mode (Relay always on)	Off	On	Flashing RED
Receiver paired (Auto mode)	On	Off	Solid GREEN
Receiver paired (Manual mode)	Off	On	Solid GREEN
Receiver paired (Off mode)	Off	Off	Solid GREEN
Firmware	Off	Off	RED and GREEN flashing according to version

 **Fail safe protection**
After 1h of no signal from thermostat, the receiver enters a lost pairing state. During each hour of lost pairing, the relay is off for 55 minutes and on for 5 minutes.

 **Waterproof protection**
Cable glands, sealing and PCB conformal coating is necessary due application scenarios. A common place for the receiver is to be installed in the bathroom, where high humidity can damage the receiver. IP54 protection is required for these reasons.

Pairing process

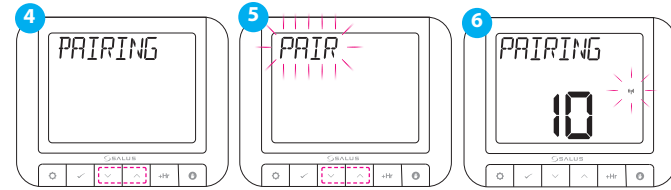


PAIR LED - flashing yellow - Default position out of factory. Receiver is not paired. Press for 5 sec to put the receiver in Pairing mode.

Pair LED - Flashing Green - Receiver in Pairing mode

Note: 10 minutes in this mode. After 10 minutes, if no pairing is successful, revert to solid RED. Pairing process needs to start again.

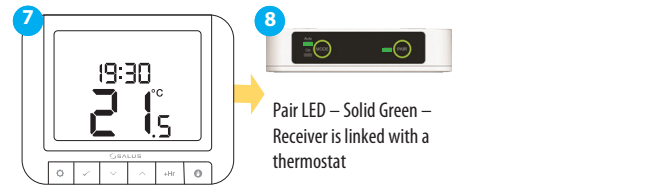
Press MENU.



Using UP or DOWN, navigate to Pairing submenu and press SELECT.

Using UP or DOWN, select PAIR and press SELECT.

The pairing process takes up to 10 minutes.



After all, thermostat will go back to the main screen.

Auto LED - Solid Green - Default mode for a paired receiver

Factory reset



10s long press the Pair button to factory reset the receiver.

Solid Red LED then it resets.

Flashing yellow after reset. Relay is inactive.

If pairing started by mistake



Pair LED - Solid Green - Thermostat linked with a thermostat. Press 5 sec to put the receiver in Pairing mode.

Pair LED - Flashing Green - Receiver in Pairing mode

Press 5s the Pair button to exit pairing mode. Keep the previous pairing code.

If pairing is lost



Pair LED - Flashing Red - Receiver lost link with thermostat

Relay is 55 minutes out of one hour inactive.

Relay is active the remaining 5 minutes of the hour. Then the cycle restarts. When connection is reestablished, receiver is checking the thermostat demand and acts accordingly.

Note: Lost link appears after 1h of failed communication.

If pairing is lost (change mode)



Pair LED - Flashing Red - Receiver lost link with thermostat

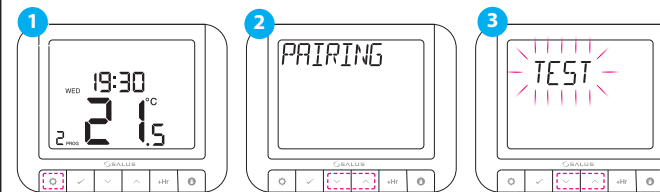
Relay is 55 minutes out of one hour inactive.

Thermostat in On mode - Relay is always on. Pair LED is flashing to state the lost connection. When connection is reestablished, Pair LED becomes solid red.

Note: Lost link appears after 1h of failed communication.

By short pressing the Mode button we can put the receiver into On (relay is always on) mode.

Test pairing



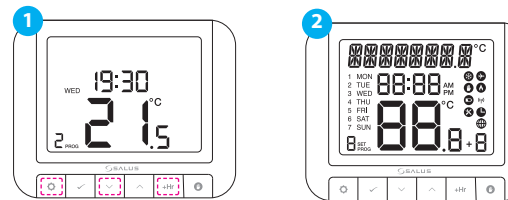
Press MENU.

Using UP or DOWN, navigate to Pairing submenu and press SELECT.

Using UP or DOWN, select TEST and press SELECT.

Note: The testing process can take approximately 10 minutes.

Thermostat factory reset



To reset the thermostat, press MENU, DOWN and BOOST simultaneously for 5 seconds.

The device will be reset and will start up automatically.

Product specifications

Local communication	868 MHz protocol
Switching Relay	10(5)A
Operating Temperature	0°C to +50°C
Heat resistance	Max. 50°C
Ingress Protection Rating	IP54
Operating voltage	230 V
Dimensions	110/100/22 in mm (L/W/H)
Terminals	SL - output switch live 2x Neutral 2x Earth L - live of supply power

Compatibility with other SALUS 868 MHz thermostats



RT310TX



RT510TX



RT520TX



ERT20TX



091FLRF(TX)



ST325TX