

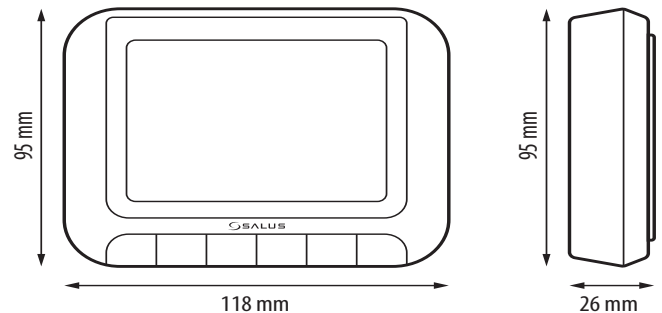
RT520

Boiler Plus Compliant Thermostat



Features

Product	Boiler Plus Compliant Thermostat
Power supply	2 x AA Alkaline batteries
Communication	Wired
Scale	5 - 33.5°C
Measuring stepsw	0.1°C or 0.5°C
Output	OpenTherm or NC/COM/NO-Voltage free output
Control algorithm	TPI (Time Proportional & Integral): $\pm 0.25^\circ\text{C}$ or $\pm 0.5^\circ\text{C}$
Dimensions (mm)	118 x 95 x 26



The RT520 is the latest addition to SALUS' tried and tested RT range of thermostat heating controls. With a new on-board load compensation feature, it offers the most cost effective fully compliant Boiler Plus solution on the market providing the homeowner with optimum efficiency and maximum heating control comfort.

The wired RT520 thermostat includes all the features of the previous RT series with a larger more intuitive LCD display and a handy new suite of additional operational and efficiency functions.

Characteristics

- Simple, quick and straightforward operation and setup
- ErP Rating V
- PIN entry option
- 5 year warranty
- Volt free contacts
- Multi generation coding
- Compatible with existing range of SALUS receivers

Connection scheme

