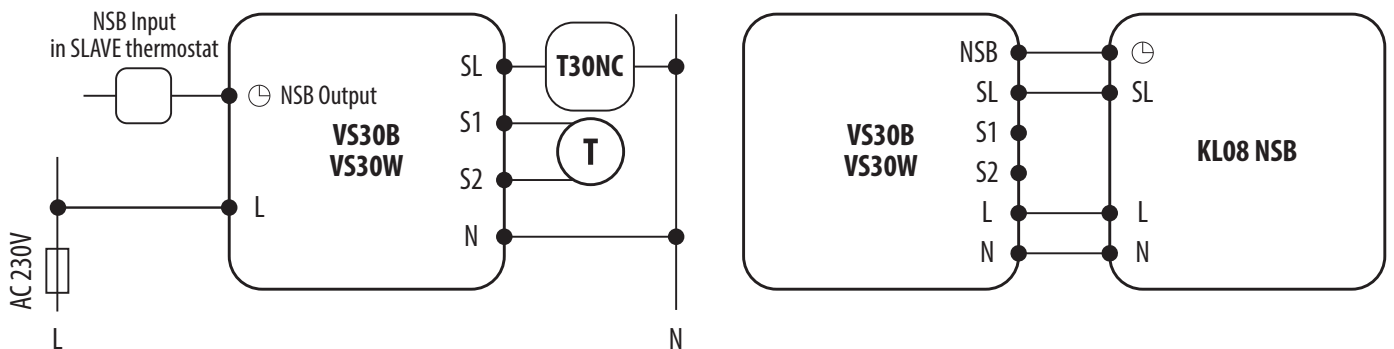



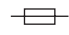




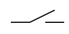

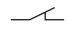

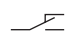
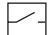




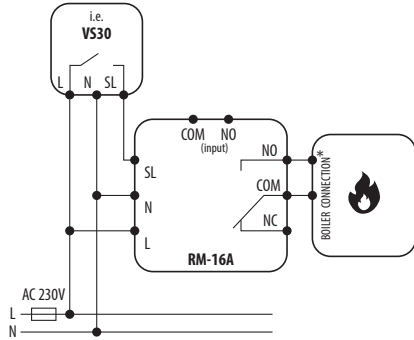
VS30W - Wiring diagram.



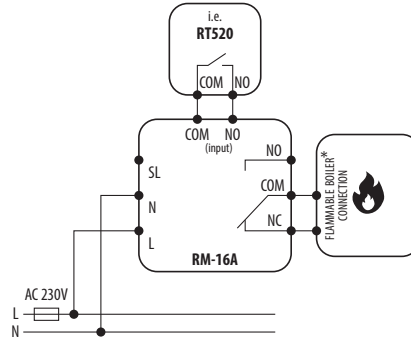
LEGEND

	Battery powered		Wireless communication
L, N	230V AC power supply		Pump
	Fuse		Valve actuator
COM, NO, NC	Voltage free output		Temperature sensor
S, S1, S2	Input terminals		3-speed 230V AC fan
SL	230V AC voltage output		Light bulb or other load
	Contact normally open		Thermoelectric actuator
	Contact normally closed		Time programmer
	NC/COM/NO switch		External normally open contact
	Boiler - Boiler connection * - Boiler's contacts for ON/OFF thermostat (according to the boiler's instructions)		Voltage converter

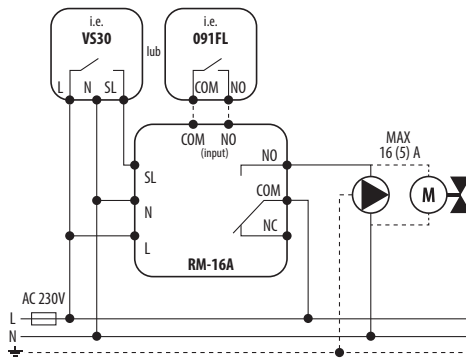
RM-16A - Wiring diagram.



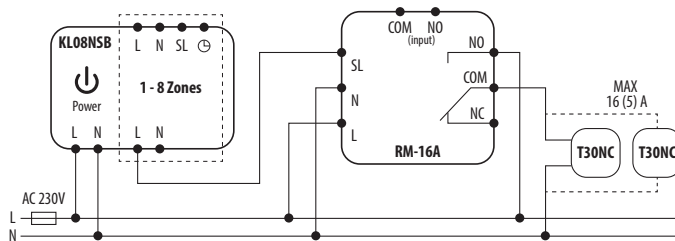
Connection of thermostat with 230V AC switching signal to a boiler (or other device) equipped with ON-OFF contact.



Connection of the battery powered thermostat to a solid-fuel boiler controller (or other device), which requires NC/COM input contact.



Connection of thermostat with 230V AC switching signal or battery powered thermostat to an electrical device with requires greater power than the regulator's relay allows.



Connection of an increased number of actuators to the wiring centre.

LEGEND

	Battery powered		Wireless communication
L, N	230V AC power supply		Pump
	Fuse		Valve actuator
COM, NO, NC	Voltage free output		Temperature sensor
S, S1, S2	Input terminals		3-speed 230V AC fan
SL	230V AC voltage output		Light bulb or other load
	Contact normally open		Thermoelectric actuator
	Contact normally closed		Time programmer
	NC/COM/NO switch		External normally open contact
	Boiler - Boiler connection * - Boiler's contacts for ON/OFF thermostat (according to the boiler's instructions)		Voltage converter