

EP310

3 Channel Programmer



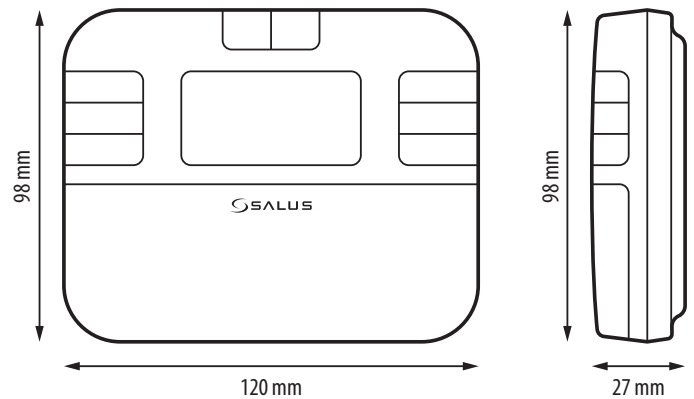
The three-channel surface-mounted programmer facilitates the operation of electrical devices (such as pumps or lighting) by setting their operation time (on and off). It has a display which makes it even more useful.

Characteristics

- Can only be used for 230V applications.
- Time control for the two heating zones and hot water zone
- 3 On/Off periods
- Can control three separate devices
- Works in a daily or 5-2 cycle (Mon-Fri + Sat-Sun)
- 3 time intervals can be created for each channel (accuracy to the minute)
- Maintains clock settings
- Large, easy to read LCD
- Holiday function
- Advance function
- Boost function
- Simple installation
- Default program
- 5 Year Warranty

Features

Product	3 Channel Programmer
Power	230V AC 50 Hz
Max. load	3 (1) A
Output	3 x SPDV 230V AC
Dimensions (mm)	120 x 98 x 27
Nr. of channels	3



Connection scheme

