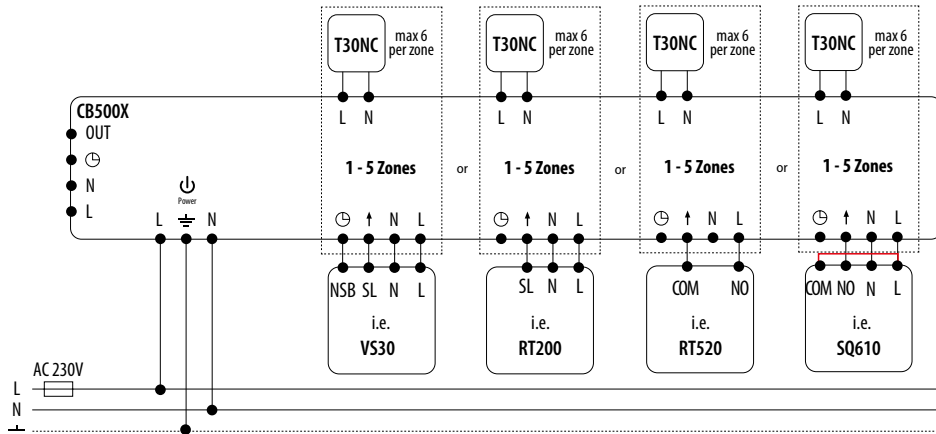
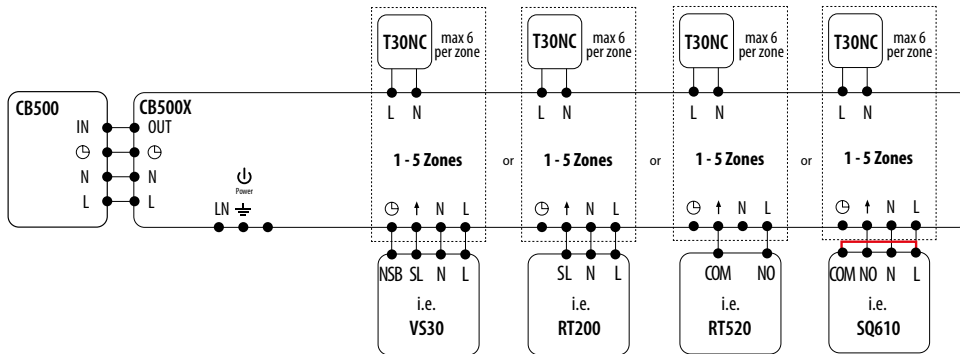


CB500X - Wiring diagram.

PLEASE NOTE! If wiring centres CB500 and CB500X are connected with EXTENSION connector, then it is not allowed to connect additional 230V power supply to power contacts in CB500X wiring centre. Otherwise, you risk permanent damage to the wiring centres. The power input of the CB500X should be used when it operates as a standalone device (when the EXTENSION sockets are not used).



* The CB500X extension works as a standalone device.



*CB500X connected to CB500 wiring centre.

**CB500 wiring centre with built-in module, 5 zones, 230V.

LEGEND

	Battery powered		Wireless communication
L, N	230V AC power supply		Pump
	Fuse		Valve actuator
COM, NO, NC	Voltage free output		Temperature sensor
S, S1, S2	Input terminals		3-speed 230V AC fan
SL	230V AC voltage output		Light bulb or other load
	Contact normally open		Thermoelectric actuator
	Contact normally closed		Time programmer
	NC/COM/NO switch		External normally open contact
	Boiler - Boiler connection * - Boiler's contacts for ON/OFF thermostat (according to the boiler's instructions)		Voltage converter